

ARCHITECT Toaster panels

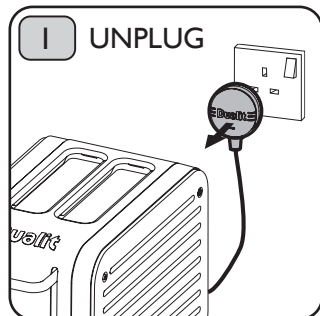
Instruction manual

Dualit®

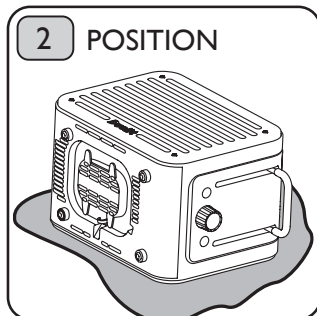
Since 1945



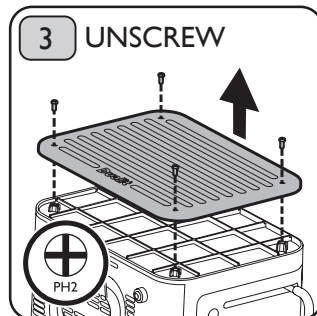
⚠ CAUTION! Edges may be sharp. Use and clean with care.



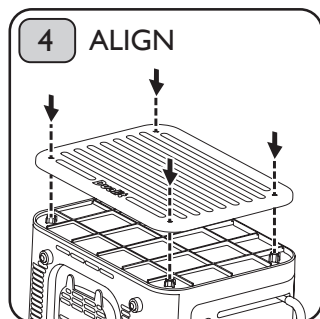
Unplug the toaster and allow to cool to room temperature.
Risk of electric shock and scalding.



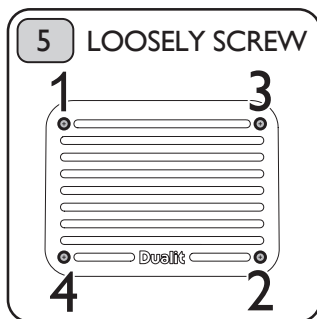
Place the toaster on its side on a soft cloth.



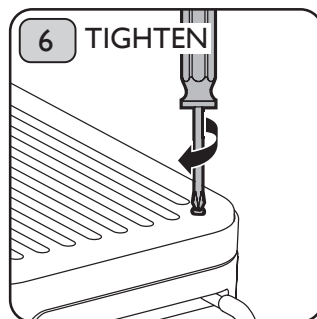
Using a Phillips screw driver (PH2), unscrew and remove panels.
NB. Do not operate the toaster with the panels removed.



Align the new panel with the screw holes on the body of the toaster.



Loosely screw in order of 1-4.



Tighten in place to secure, using the same order.

Dualit Limited County Oak Way Crawley West Sussex RH11 7ST
+44(0)1293 652 500 info@dualit.com www.dualit.com



Dualit®

ARCHITECT



You may also like the matching Architect Kettle

www.dualit.com/architect