

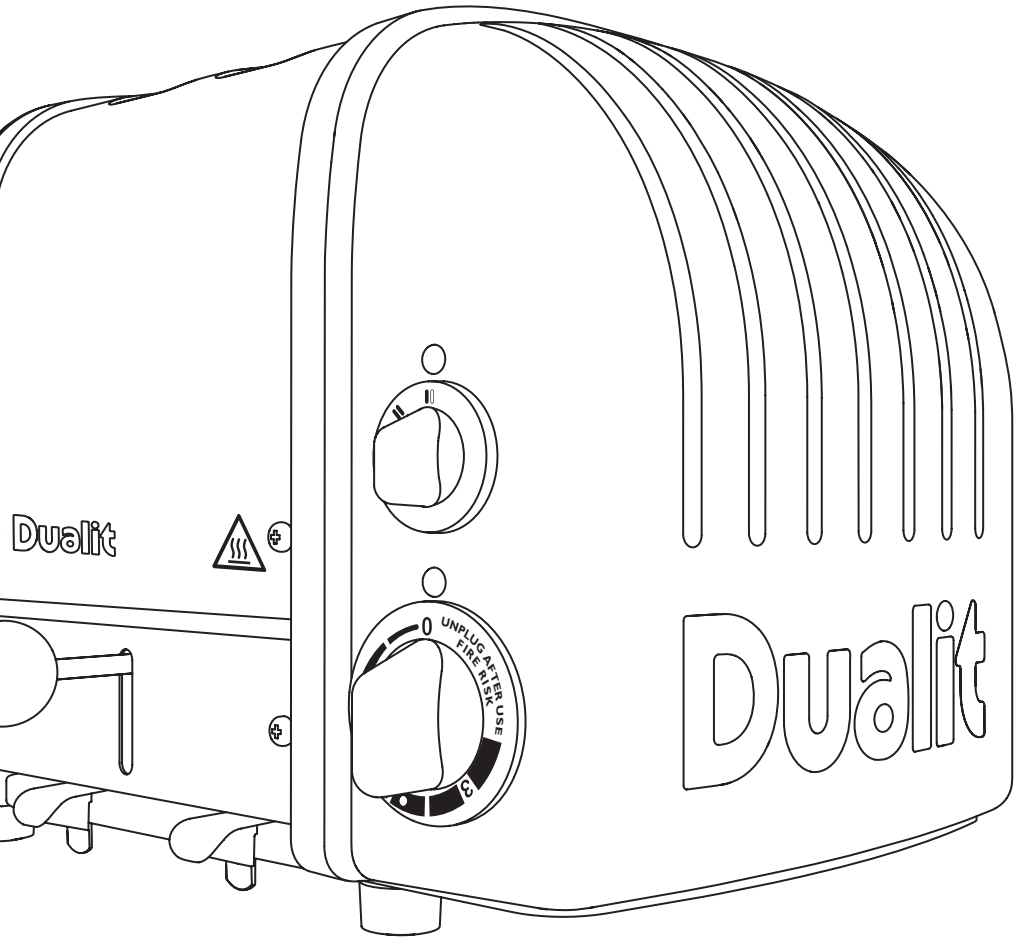
Classic AWS Toaster

2, 3, 4 & 6 Slot

Instruction Manual & Guarantee

Dualit®

Since 1945



Original Instructions

TOASTING SINCE 1945



For decades, Dualit toasters have reflected an attitude that's fundamentally British. They are a symbol of the fact that it's the simple things in life that are the most rewarding and the most important. Dualit toasters can turn out hundreds of crisp, golden slices per hour. They are gleaming, sturdy and tough as old boots. And as much a part of British life as toast itself.



It should come as no surprise that the man who invented the Dualit Toaster was an engineer. In 1946, Max Gort-Barten produced the original Dualit Toaster from his workshop just off London's Old Kent Road.

Combining strength, versatility and ingenuity it was a Toaster that set new standards, soon followed by a Commercial Toaster, incorporating a Time Switch among its many (entirely) original features.

Manually operated and designed for heavy-duty use, each Dualit Toaster is a blend of the simple and highly sophisticated. Each Toaster is assembled by hand, much as it always was. The assembler's individual name will be found on the base plate. In an age in which so much becomes obsolete overnight, the Dualit Toaster is built without compromise. It remains one of the few objects to survive the passing of the years with grace and style.

DON'T FORGET TO REGISTER YOUR PRODUCT	WWW.DUALIT.COM/REGISTER	
	OR BY POST	

CONTENTS

Safety precautions	04
Before first use	06
Accessories	07
Setting up	08
Toasting tips	09
Know your Toaster	10
The Selector	12
Toasting bread	13
Toasting frozen bread	15
Making toasted sandwiches	16
Cleaning and care	17
Thermal protection device	18
Resetting thermal fuse	19
Replacement parts	20
Replacement Elements	21
Troubleshooting	22
Guarantee	23

	CAUTION: HOT SURFACE	
--	----------------------	--



IMPORTANT SAFETY PRECAUTIONS



READ ALL INSTRUCTIONS

BEFORE USING THE PRODUCT.

KEEP THESE INSTRUCTIONS FOR FUTURE REFERENCE.

IMPORTANT SAFEGUARDS

- **THIS IS AN ATTENDED APPLIANCE. Do not leave unattended during use, unplug after each use (risk of fire if an unattended appliance is left operating).**
- This appliance must not be used by children younger than 8 years old and persons with very extensive and complex disabilities. Children aged 8-14 years and persons with reduced physical, sensory or mental capabilities or lack of experience and knowledge shall not use this appliance, unless they are supervised and have been given instruction concerning the use of the appliance in a safe way and understand the hazards involved. Close supervision is necessary when any appliance is used by or near children. Children shall be supervised to ensure that they do not play with the appliance. Cleaning and user maintenance shall not be made by children unless they are older than 8 and supervised. Keep the appliance and its cord out of reach of children less than 8 years old. **Risk of fire, electric shock, scalding and injury to persons.**
- This appliance is intended for indoor household use only. If the appliance is used improperly or for professional or semi-professional purposes or if it is not used according to these instructions the Guarantee becomes invalid and Dualit refuses any liability for damage caused. **Risk of fire, electric shock, scalding and injury to persons.**


Electrical Safety

- Before plugging in, check that the voltage on the rating label is the same as the mains supply. **Risk of electric shock and fire.**

- **N**ever plug an appliance into a socket/outlet with other appliances connected to it or a socket/outlet with additional features such as, but not limited to, USB sockets, built-in Wi-Fi boosters, remote Wi-Fi/Bluetooth or similar smart switching functionality. Failure to do this may cause an overload, trip a circuit breaker or blow a fuse. **Risk of electric shock and fire or damage to socket/outlet and Plug.** The socket/outlet should be protected by a Residual Current Device (RCD).
- **U**nplug from outlet when not in use and before cleaning. Allow to cool before putting on or taking off parts. **Risk of fire, electric shock, scalding or injury to persons.**
- **S**hould the light remain illuminated after using the appliance, immediately unplug the appliance and call Dualit's Customer Helpline on +44 (0)1293 652 500. **Risk of electric shock.**
- **I**f the Timer sticks, unplug and do not use. Spare Timers are available from www.dualit.com and must be fitted by a qualified electrical engineer. **Risk of fire.**
- **T**he Toaster is not intended to be operated by means of an external Timer or separate remote control system. **Risk of fire.**
- **T**o be protected against electrical hazards, fire and injury to persons, do not immerse the Power Cord, Plug or appliance in water or any other liquid. **Risk of electric shock.**
- **N**OTE: Any Plug cut from the power supply cord should be disposed of immediately. Inserting any cut off Plug into a socket-outlet is hazardous. **Risk of electric shock and fire.**
- **D**o not operate any appliance with a damaged lead or Plug, or after the appliance malfunctions or has been dropped, damaged or cracked in any manner. **Risk of electric shock and fire.**
- **I**n order to avoid a hazard, if the Power Cord is damaged it must, for safety reasons, be replaced by Dualit or a qualified electrician. Call Dualit's Customer Helpline on +44 (0)1293 652 500. **Risk of electric shock and fire.**
- **N**ever use the Plug without the fuse cover fitted. Ensure replacement fuse is the same current value as the original. Replacement fuses are available and should be ASTA approved to BS1362. **Risk of electric shock and fire.**
- **W**ARNING! This appliance must be earthed. **Risk of electric shock and fire.**

- **N**ever touch the appliance or Power Cord with wet hands. **Risk of electric shock.**
- **T**he use of extension cables not authorised by the manufacturer may cause damage or accidents. **Risk of electric shock.**

General Safety

- **D**o not use foods, including tarts and pastries, that may drip fillings or coatings containing sugar when heated in your Toaster, as may cause a fire. **Risk of fire.**
- **B**read may burn, therefore do not use the Toaster near or below combustible material such as curtains. **Risk of fire.**
- **W**hen in use a fire may occur if the appliance is covered or touching flammable material, including curtains, draperies, walls and the like. **Risk of fire.**
- **D**o not place on or near a hot gas or electric burner or in a heated oven. **Risk of fire.**
- **D**o not attempt to dislodge bread when the Toaster is plugged in. **Risk of electric shock.**
- **C**rumb tray must be in place during toasting. **Risk of fire.**
- **C**rumb tray should be regularly cleaned. A build up of crumbs can burn or cause a fire. **Risk of fire and injury.**
- **D**o not allow cable to touch hot surfaces, or to hang over edge of a table or counter top. **Risk of fire or electric shock.**
- **D**o not use appliance for any purpose other than the intended use. **Risk of fire, electric shock, burns or injury to persons.**
- **D**o not store or use in an appliance garage or under cupboards. **Risk of fire.**
- **D**o not use if dropped, cracked or damaged. **Risk of burns and electric shock.**
-  **A**ccessible surfaces of the appliance may get hot during use. Therefore use handles or knobs. **Risk of burns.**
- **T**he appliance will remain hot after use. **Risk of burns.**
- **T**he machine must only be operated on a flat surface. **Risk of fire and electric shock.**

- **D**o not use scouring pads or abrasive cleaner on the appliance body. **Risk of damage.**
- **T**he use of accessory attachments not recommended by Dualit **may result in fire, electric shock or injury to persons.**
- **O**versized foods, metal foil packages or utensils must not be inserted in or on top of the appliance. **Risk of fire or electric shock.**
- **N**ever put the appliance or part of it in a dishwasher. **Risk of damage and electric shock.**
- **D**o not put a pan on top of the Toaster or Warming Rack. **Risk of fire, electric shock, scalding or injury to persons.**
- **D**o not toast bread in Slots and use Warming Rack at the same time. **Risk of fire.**
- **U**se for a maximum of 3 minutes and then allow to cool between uses. **Risk of fire.**
- **D**o not allow the device to freeze. This may compromise electrical safety and will degrade performance of all lubricants. **Risk of electric shock and damage.**
- **D**o not modify the appliance. **Risk of fire and electric shock.**
- **R**emove all packaging before use. **Risk of fire.**
- **D**o not insert hands, implements, or any metallic or sharp utensils into the Toaster. **Risk of damage and electric shock.**

SAVE THESE INSTRUCTIONS

In the interest of improving products, Dualit Ltd. reserves the right to change the product specification without prior notice.

All illustrations are for representation only, your model may vary from illustrations shown.

For information on Dualit's Intellectual Property, visit www.dualit.com/intellectual-property



IMPORTANT SAFETY PRECAUTIONS



INSTRUCTIONS ON ENVIRONMENT PROTECTION

Do not dispose of this product in the usual household waste at the end of its life cycle. Please hand it over to a collection point for the recycling of electrical and electronic appliances. The symbol on the product, the instruction of use or the packaging will inform you about the methods of disposal. The materials are recyclable as mentioned on its marking. By recycling, material recycling or other forms of re-utilization of old appliances you are making an important contribution to protect our environment. Please enquire with the local Authority for the authorised disposal location.

IMPORTANT: BEFORE FIRST USE

- **R**ead this instruction manual before you start using the appliance. It gives you important safety information and will ensure you get the most out of your Dualit product.
- **K**eeep this manual and your proof of purchase in a safe place.
- **D**on't forget to register your product at www.dualit.com/register.
- **B**efore you use your Toaster for the first time, wash all parts according to the cleaning instructions.
- **P**osition the Toaster according to the Safety Precautions and Setting Up procedure. **Risk of fire, electric shock, scalding or injury to persons.**
- **Y**our Dualit Toaster has ProHeat® Elements. These Elements need to be conditioned before toasting for the very first time. Then continue to toast as per the instructions.
- **S**et the Selector Switch so all the Slots are active, with no bread in the Slots, turn the Timer all the way round and let it run back to the off position.

- **T**o condition Elements for use, let the Toaster complete the first cycle without slices of bread in it and allow to cool to room temperature. Some smoke may vent from the Slots, this is not a fault and is perfectly safe. There may be a slight popping crinkling sound, this is due to heat expansion of the Elements and is perfectly normal. Allow to cool to room temperature. Your Toaster is now conditioned and ready for use.
- **I**f using a Warming Rack, read the instruction manual included with the Warming Rack. Only use Warming Racks designed by Dualit for use with this Toaster.
- **U**npack the box with care, keeping all the packaging materials until you are satisfied everything is present and in working order. Once satisfied recycle the packaging appropriately.

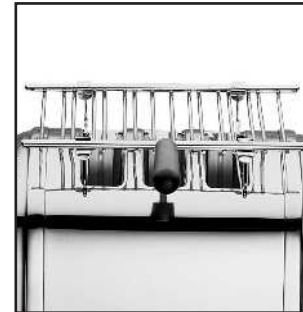
ACCESSORIES - SOLD SEPARATELY



THE SANDWICH CAGE

Convert your Toaster into a toasted sandwich maker with this quick and easy to use accessory.

Using a cage also offers greater toasting control, for toasting smaller items such as crumpets, scones, teacakes or muffins.



THE WARMING RACK

The 'Warming Rack' is a universal accessory for all Dualit Classic Toasters.

Perfect for warming or lightly toasting any bread product that will not fit inside the Slots. Such as croissants, scones, pastries or tortillas.

Use for a maximum of 3 minutes and then allow to cool between each use.

Do not toast bread in Slots and use Warming Rack at the same time.

DO NOT PUT A PAN ON TOP OF THE WARMING RACK.

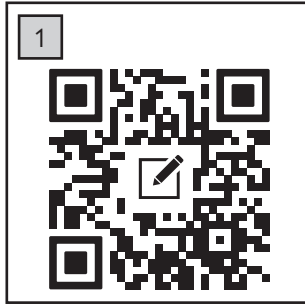
NOTE: Be mindful that repeated use of the Warming Rack without allowing the Toaster to fully cool between cycles may cause the Thermal Protection Device to activate (see page19).

SETTING UP

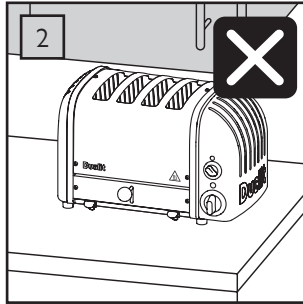
Read and follow these instructions before using your Toaster.

THIS IS AN ATTENDED APPLIANCE.

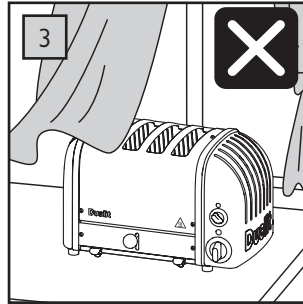
Do not leave unattended during use, unplug after each use (risk of fire if an unattended appliance is left operating).



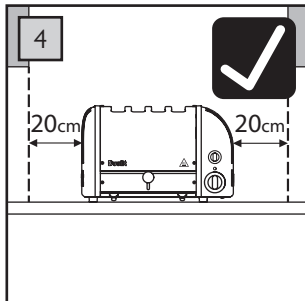
Register your product at dualit.com. This will only take 60 seconds. You will need the product model and serial number that are on the rating label on the base of the product.



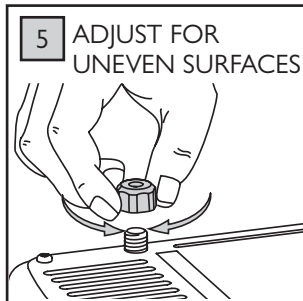
DO NOT STORE OR USE YOUR TOASTER IN AN APPLIANCE GARAGE OR UNDER CUPBOARDS. A fire may occur if incorrectly positioned.



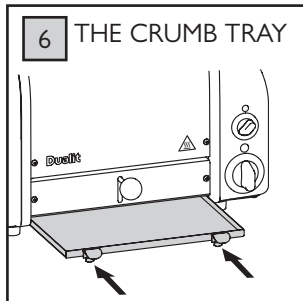
DO NOT STORE OR USE YOUR TOASTER CLOSE TO CURTAINS OR FLAMMABLE MATERIAL. A fire may occur if incorrectly positioned.



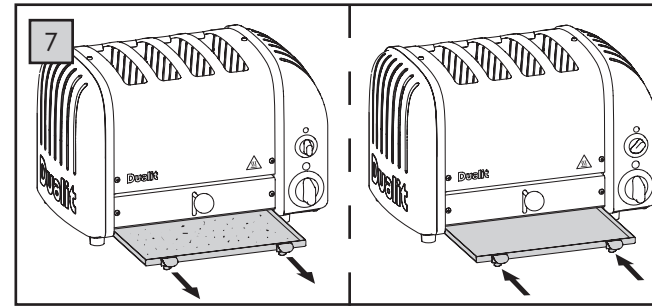
Place the Toaster on an open level surface. Ensure the Toaster is positioned at least **20CM CLEAR FROM ANY OVERHANGING CUPBOARDS, WALLS OR CEILING AND BEHIND TOASTER.**



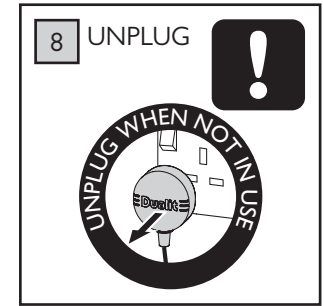
Your Toaster is fitted with one Adjustable Foot which may be raised or lowered to compensate for uneven surfaces. The Adjustable Foot is located on the base of the Toaster and is hexagonal in shape; rotate it to adjust the height.



CRUMB TRAY MUST BE IN PLACE DURING TOASTING.



Crumbs will accumulate in the Crumb Tray and could catch fire if the tray is not emptied frequently. Pull out the Crumb Tray and wipe clean using a damp cloth. **CRUMB TRAY MUST BE IN PLACE BEFORE TURNING ON THE Toaster AND DURING TOASTING.**



UNPLUG WHEN NOT IN USE.

TOASTING TIPS

Here are a few tips to help get the best out of your Toaster.



- Your Toaster is fitted with a mechanical Timer, please note this is not a conventional browning setting. Our Peek & Pop® feature allows you to check the progress of your toast at any time by pushing down on the Ejector Knob.
- **FULLY LOAD ALL HEATED UP SLOTS.** If a Slot is heated but no bread is inserted, the bread in the adjacent Slot will toast unevenly.
- **ALWAYS LOAD YOUR SLOTS STARTING FROM THE LEFT.**
- **DIFFERENT BREADS WILL TOAST AT DIFFERENT RATES,** wholemeal bread takes longer than white bread, fresh bread will take longer than day old bread, sweet bread will toast quicker than white bread. Remember to adjust your Timer to allow for your particular type of bread.
- After the first round of toast, the Elements and Toaster body will be at full operating temperature, subsequent rounds will take less time to toast.
- The thickest slice of bread that will fit in your Toaster is 28mm thick. Forcing bread which is too thick or too long into the Slots will be difficult to eject once toasted.
- You may find it easier to use a 'sandwich cage' to toast smaller items. Inserting, checking and removing will all be easier (sold separately).
- When hand cutting a fresh loaf, cut the slices as evenly as possible. Uneven slices will toast unevenly.
- Keep Elements free from breadcrumbs and broken pieces of bread. If left these may burn out the Elements. With the Toaster unplugged use a soft brush to clean inside your Toaster, do not use a knife!
- To reheat recently made toast set Timer to 'defrost' symbol.
- Cancel toasting manually at any time by rotating the Timer back to '0'. This will not damage your Timer.

KNOW YOUR TOASTER

Unpack the box with care, keeping all the packaging materials until you are satisfied everything is present and in working order. Once satisfied remove any tags from the Toaster body and recycle the packaging appropriately. Do not remove tags from the cord. You may wish to keep the box to store your appliance.

PROHEAT® ELEMENTS

Patented heavy duty replaceable Elements.

STAINLESS STEEL COVER

MANUAL EJECTOR

Mechanical Peek & Pop Ejector for greater toasting control.

CRUMB TRAY

Keeps your work surfaces clear of crumbs.

WIDE SLOTS

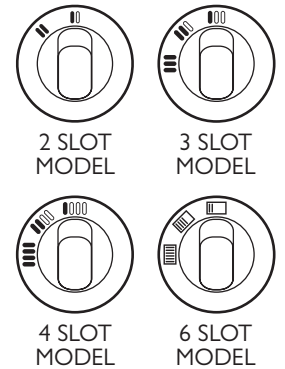
Wide Slots to fit thick bread, buns and sandwich cages.

ALUMINIUM CASTINGS

Heavy duty cast Aluminium Castings.

SELECTOR SWITCH

Select number of slices or buns you are toasting.



POWER NEON

Illuminates when power on.

MECHANICAL TIMER WITH DEFROST

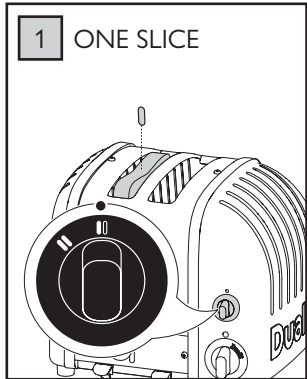
Timer controlled defrost and toasting.

FEET

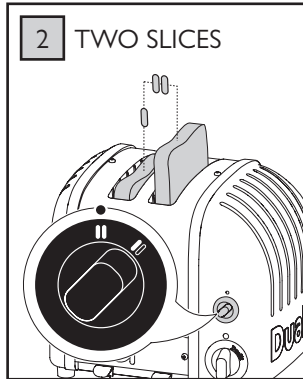
Compensate for uneven surfaces.

THE SELECTOR

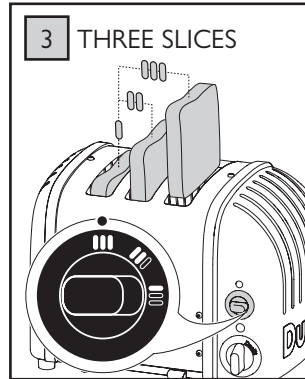
ONLY HEAT UP SLOTS YOU ARE GOING TO USE.
This avoids uneven toasting and saves energy at the same time.



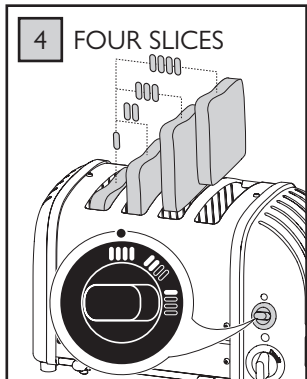
2, 3 & 4 Slot models:
Select the one slice indicator on the 'Selector Switch'. The left hand Slot will heat up on both sides.



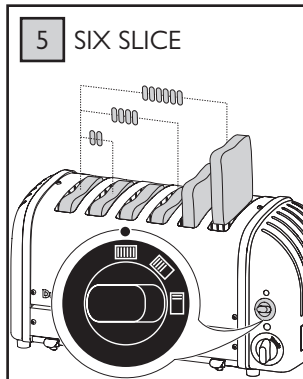
2, 3, 4 & 6 Slot models:
Select the two slice indicator. The two Slots from the left will toast on both sides.



3 Slot model: Select the three slice indicator. The three Slots from the left will toast on both sides.



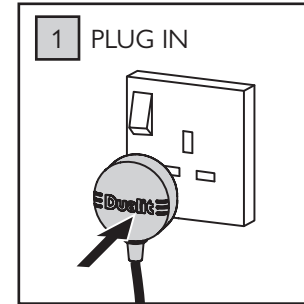
4 & 6 Slot models: Select the four slice indicator. The four Slots from the left will heat up on both sides.



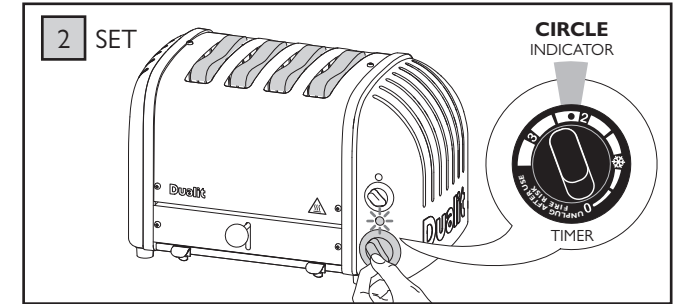
6 slot model: Select the six slice indicator. All Slots will heat up.

TOASTING BREAD

THIS IS AN ATTENDED APPLIANCE. Do not leave unattended during use, unplug after each use (risk of fire if an unattended appliance is left operating).



The Toaster will only engage when the power is switched on. Plug the Toaster into the wall power socket and turn power on at socket.



NOTE: The required toasting time is affected by the freshness, thickness and type of bread. Reduce the toasting time if the Toaster is warm from a previous toasting operation.

See chart below for a guide to toasting different bread types.

For a quick start, turn the Timer to the Circle Indicator (just past the number 2 setting). This is the optimised toasting setting for medium sliced, white bread using a cold Toaster.

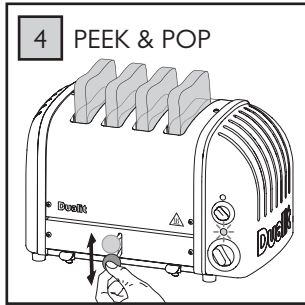
For repeated toasting or when the Toaster is warm, reduce the toasting time for best results.



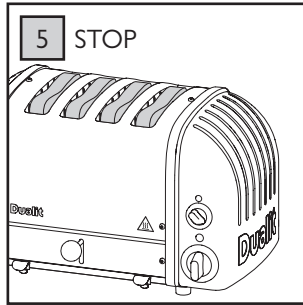
FRESHNESS (age) of bread	5+ days old	2 days old	0 days old (freshly baked)	
MOISTURE CONTENT of bread	Dry	Average	Moist	
COLOUR of bread	—	White	Brown	Rye
INGREDIENTS in bread	Sweet	Savoury	Lots of seeds & savoury	

TOASTING FROZEN BREAD

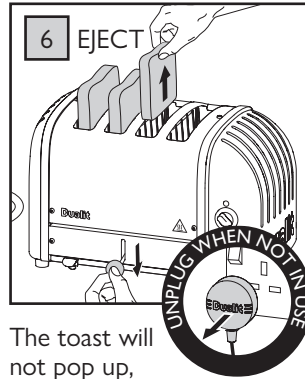
Toast bread directly from the freezer with this handy setting.



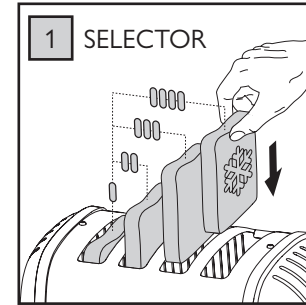
Check the progress of your toast at any time by pushing down on the 'Ejector Knob'.
If you remove your toast before the cycle is complete, cancel Timer and unplug.



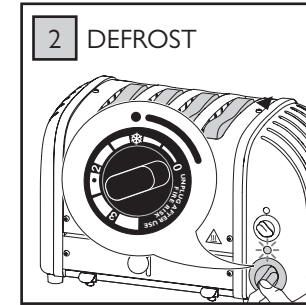
The 'Timer' will click off to '0'. To cancel toasting manually rotate the 'Timer' to '0'.
If Neon light remains illuminated after use immediately isolate the Toaster & call service centre.



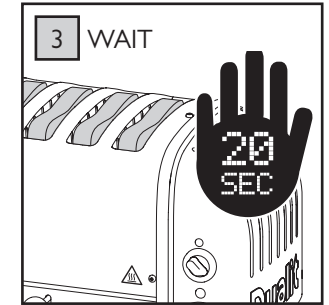
The toast will not pop up, but will keep warm inside the Toaster. Press down the 'Ejector Knob' and the toast will pop up ready for serving.



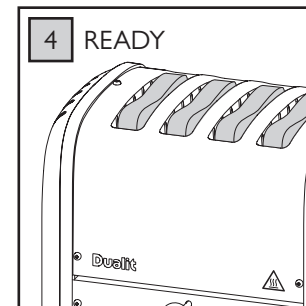
Set the 'Selector Switch' to the desired number Slots you require and insert your frozen slices of bread.



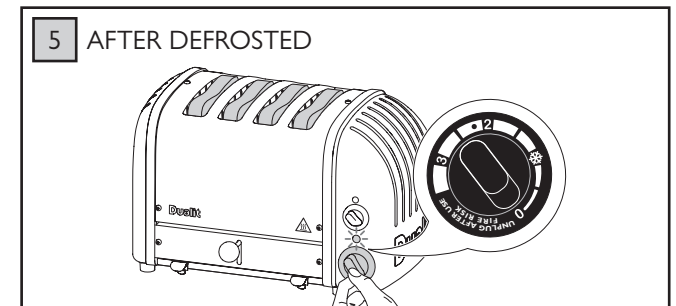
Rotate the 'Timer' to the defrost symbol and let the Timer wind down to '0'.



When the Timer stops wait 20 seconds.



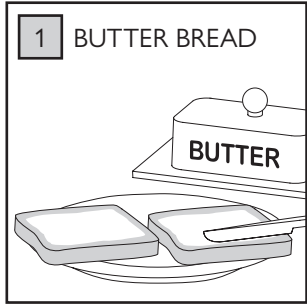
Your bread will now be defrosted and ready for toasting.



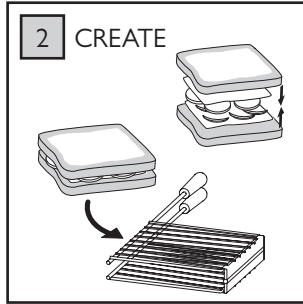
Set the Timer to your preferred setting and continue to toast as if toasting fresh bread.

MAKING TOASTED SANDWICHES

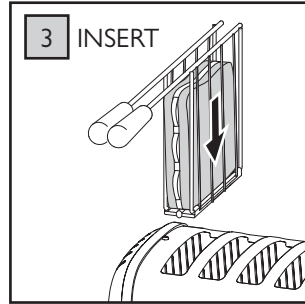
The sandwich cage accessory (sold separately) will transform your Toaster into a versatile sandwich Toaster.



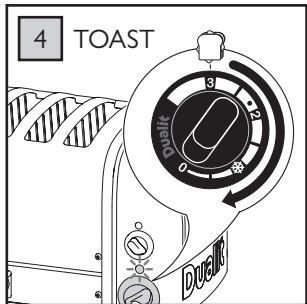
Use medium sliced bread, lightly butter the **OUTSIDE OF EACH SLICE**.



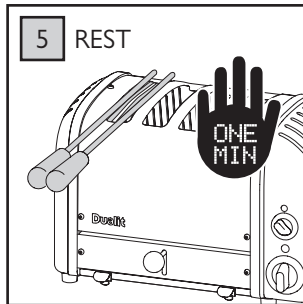
Place your fillings between the **unbuttered** sides. **DO NOT OVERFILL THE SANDWICH.** Place sandwich in cage.



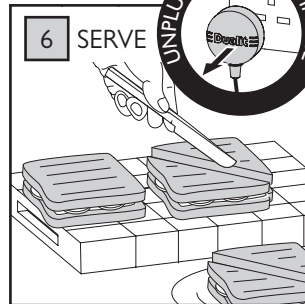
Set 'Selector' and starting from the left insert cage into the Slots. Push down until clamped tightly shut.



Toast until the sandwich is golden. Setting 3 on the 'Timer'. Adjust for your bread type.



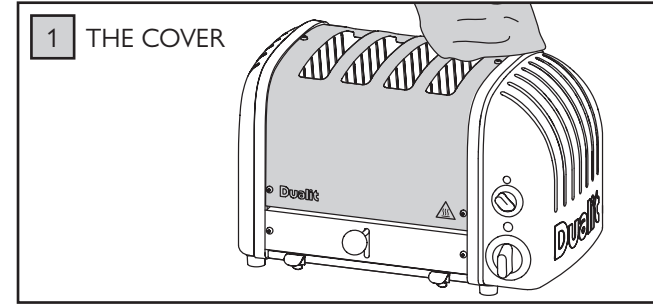
Allow to rest for a further minute inside the Toaster to allow fillings to fully warm. **If Neon light remains illuminated after use immediately isolate the Toaster & call the service centre.**



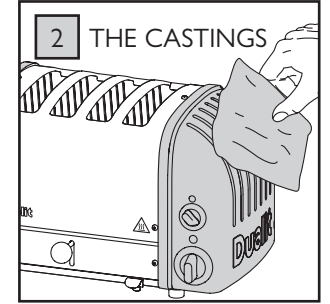
Remove, cut and serve. **CAUTION: FILLINGS CAN BE HOT.**

CLEANING & CARE

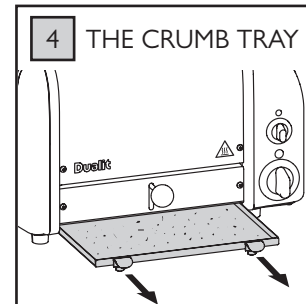
IMPORTANT: ensure the Toaster is isolated and allowed to fully cool before starting to clean. Any other servicing should be performed by an authorized service representative.



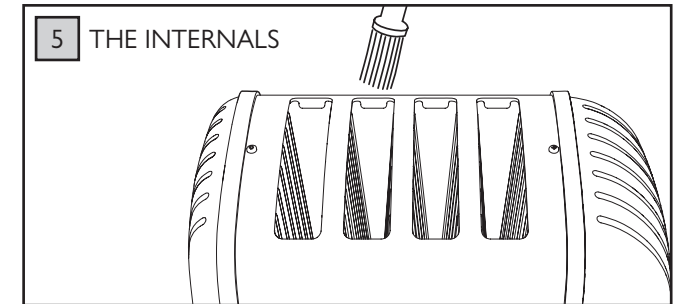
AFTER EACH USE Wipe the 'Stainless Steel Cover' with a non-abrasive cloth. A stainless steel cleaner can be used to restore shine to the Cover only, but do not use an aggressive cleaner or one that contains ammonia.



Wipe the Aluminium End Castings with a damp cloth. Do not use a chemical or abrasive cleaner.



Crumbs will accumulate in the Crumb Tray and could catch fire if the tray is not emptied frequently. Pull out the Crumb Tray and wipe clean using a damp cloth. **CRUMB TRAY MUST BE IN PLACE DURING TOASTING.**



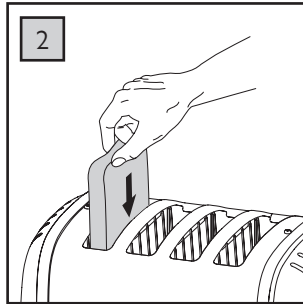
With the Toaster unplugged from the power supply use a **SOFT BRUSH** to clean inside your Toaster, do not use a sharp or metal utensil! Crumbs should be carefully brushed off the Elements using only a soft brush, the Toaster can be turned upside down and excess crumbs be shaken out.

THERMAL PROTECTION DEVICE

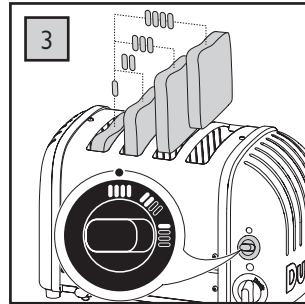
1
TO PREVENT
ACTIVATING
THE THERMAL
PROTECTION
DEVICE:

Ensure your Toaster is situated in an area with at least 10cm of space to the left, right and back of the Toaster.

Use the Toaster clear of overhanging cupboards and away from any flammable materials.



2
Always load bread into the Toaster starting from the left hand Slot.



3
Always use the appropriate setting for the number of slices of bread to be toasted.

4 FURTHER ROUNDS

Be mindful of reducing the toasting time if the Toaster is already warm from previous use, as the bread toasts faster on 2nd and 3rd cycles.



Be mindful that repeated use of the Warming Rack without allowing the Toaster to fully cool between cycles may cause the device to activate.

6 UNPLUG

Always unplug the Toaster after use.

RESETTING THERMAL FUSE

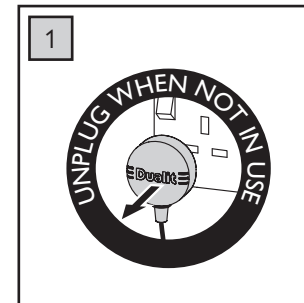
If the Toaster Neon illuminates, but the Elements fail to warm up or if there is an audible 'click' above the normal ticking of the Timer from the Toaster while it is still operating, you may have activated the Thermal Protection Device.

Before resetting you must ensure that there is not a fault within the appliance. Do not reset unless a qualified electrician has examined the Toaster and verified that the Selector Switch, Timer and all other Components are in good working order.

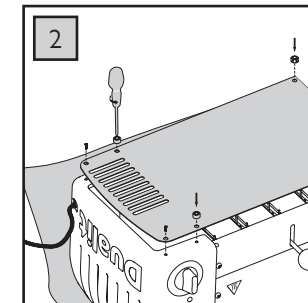
The Thermal Protection Device can be reset by allowing the Toaster to fully cool, unplugging the Toaster from the wall socket and following instructions below.

Resetting the Thermal Protection Device should only be carried out by a qualified electrician. The Toaster must be Portable Appliance Tested following reset of the

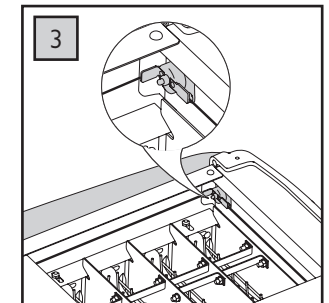
Thermal Protection Device. Should you require any further assistance call Dualit's Service Department on [01293 652 500](tel:01293652500).



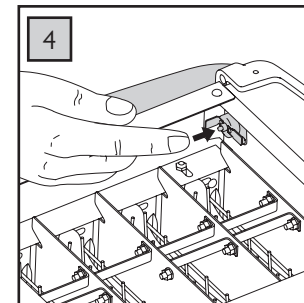
Unplug the Toaster and allow to fully cool.



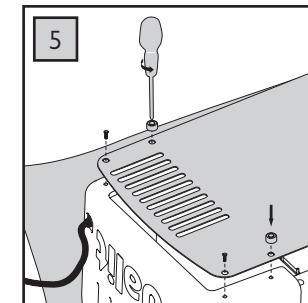
Remove the Crumb Tray and Toaster base plate to access the fuse.



The fuse can be located in the rear corner of the Toaster body.



The fuse is reset by depressing the small white button on its face.



Refix the base plate and return the Crumb Tray.

6

PAT TEST

The appliance must be Portable Appliance Tested before use.

REPLACEMENT PARTS

The Classic Toaster is also kind on the environment, all parts are repairable or replaceable. You don't throw away a Dualit Classic Toaster, for a nominal cost we fix it for you!

Dualit repairs department regularly receive toasters over 40 years old. They are fixed and go back to the owner in full working order. If your Toaster needs a repair, simply contact our helpline on [01293 652 500](tel:01293652500) for repair or servicing advice or visit www.dualit.com/support.

ALL SERVICING MUST BE CARRIED OUT BY A QUALIFIED ELECTRICIAN OR REPAIRER.

For your own protection only use original Dualit spares in your Toaster.

- Fitting of non Dualit parts will invalidate the guarantee.

ELEMENT SPARES

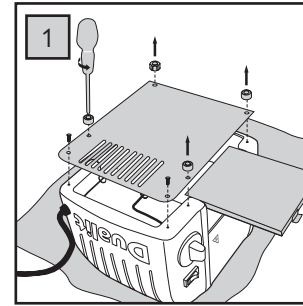
- When replacing ProHeat® Elements, only use genuine Dualit Elements (stamped "DUALIT").
- The safety and the performance of the Toaster cannot be guaranteed if inferior Elements are used.

TIMER SPARES

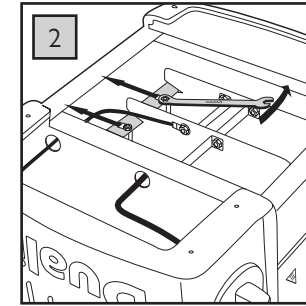
- When replacing the Timer, only use a genuine Dualit Timer.
- The safety and the performance of the Toaster cannot be guaranteed if an inferior Timer is used.

REPLACING ELEMENTS

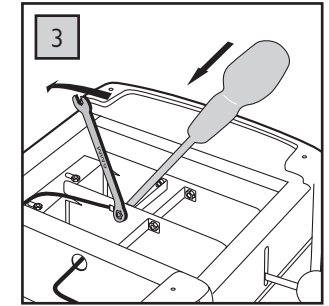
ALL SERVICING MUST BE CARRIED OUT BY A QUALIFIED ELECTRICIAN OR REPAIRER & PORTABLE APPLIANCE TESTED.



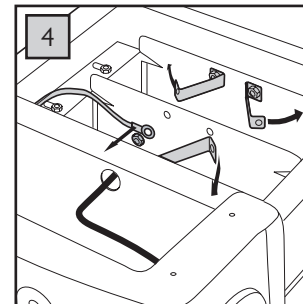
Unplug and place Toaster on a soft cloth. Remove Crumb Tray and unscrew Feet to remove the base plate.



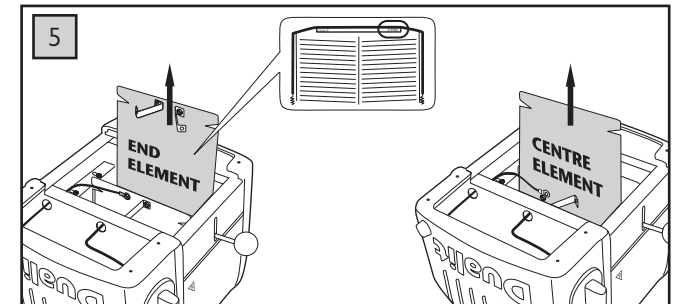
Loosen locking nuts on retaining plate using a 6.5mm spanner and slide back. **Ensure that the retaining plate is correctly in position when reassembling.**



Unscrew brass links and wires.



Bend brass links and wires away from the Element.



Remove Element. To reassemble, reverse procedure ensuring wires and parts are correctly positioned. Ensure new Element is marked the same as the one removed. The Element heats on both sides and can be inserted facing either way. Check it is seated correctly in the channels either side. Portable Appliance Tested before use.

DON'T FORGET TO REGISTER YOUR PRODUCT	WWW.DUALIT.COM/REGISTER	
	OR BY POST	

TROUBLESHOOTING



POSSIBLE CAUSE(S)	SOLUTION(S)
MY TOASTER IS NOT WORKING	
1. The Toaster may not be properly connected to the power supply.	1. Check the Toaster is plugged in.
2. Your fuse or Thermal Protection Device may have blown, or the Timer may need replacing.	2. Check if the light is glowing red. If yes, unplug the Toaster and call service centre If no, your Plug fuse may have blown.
I GET UNEVEN TOASTING	
1. Different bread types and sizes have been used at the same time.	1. Ensure size and type of bread being toasted are the same.
2. End Elements take a little longer to warm up than centre Elements.	2.1 Preheat the Slots before inserting bread by rotating the Timer all the way round, let it wind down to the circle indicator then insert your bread into the active Slots.
	2.2 Ensure all active Slots have bread inserted when toasting.
	2.3 Once Toaster is at optimum operating temperature this will no longer occur.
3. All active Slots do not contain bread.	3. Check the Selector Switch is set for the number of Slots being used.
4. If the Timer is noticeably slow, it may need replacing.	4. Unplug and do not use the Toaster. Spare Timers are available from www.dualit.com and must be fitted by a qualified electrical engineer.
ONE SIDE OF MY BREAD IS NOT TOASTING	
1. Elements heat up on both sides. The 'Selector' Switch may not be set correctly.	1. Check the 'Selector' Switch is set correctly. Remember to insert bread from the very left hand Slot.
2. One or more of the Elements may need replacing.	2. Call the helpline or visit www.dualit.com for replacement Elements.
SMOKE COMING OUT OF THE SLOTS	
1. If this is the first time using your Toaster, this is normal, your Elements are being conditioned.	1. This will dissipate after a few uses.
2. The Crumb Tray might be full. A build up of crumbs can burn or cause a fire.	2. Empty the Crumb Tray.
3. Some crumbs or pieces of bread may be stuck in the Toaster.	3. Unplug, remove the Crumb Tray then turn the Toaster upside down over a sink or bin and gently shake the crumbs out.
MY TIMER IS NOTICEABLY SLOW OR STICKING	
1. Your Timer will need replacing.	1. Unplug and do not use the Toaster. Repair the Timer immediately. Spare Timers are available from www.dualit.com and must be fitted by a qualified electrical engineer.

GUARANTEE

This appliance is of excellent quality and construction. However, if any defects in materials or workmanship do appear during the relevant guarantee period, we will, at our discretion, either repair or replace the defective parts, free of charge, subject to the terms and conditions of our Guarantee shown below.

This Guarantee covers both parts and labour. Carriage is not included.

Your Guarantee period is as follows:

- 1 year

This Guarantee provides benefits which are additional to, and do not affect, your statutory rights. This Guarantee does not cover the cost of returning the product to the dealer from whom it was purchased or to ourselves. This Guarantee applies only to products sold and located in mainland Great Britain. It does not cover liability in respect of or replacement of plugs, cables or fuses and also does not cover defects due to:

- Failure to use or maintain product in accordance with Dualit's instructions.
- The product being connected to an unsuitable electricity supply.
- Accidental damage to or abuse or misuse of the product.
- Product modification, except by Dualit or approved agent.
- Dismantling of or interference with the product.
- Theft or attempted theft of the product.

Before returning any product under this Guarantee, please check that:

- You have followed the product instructions correctly.
- Your mains electricity supply is functional.
- The defect is not due to a blown fuse.

If you wish to claim under this guarantee you should:

- Send the product, postage or carriage paid, to the dealer from whom it was purchased or to Dualit direct.
- Ensure that the product is clean and packed carefully (preferably in its original carton).
- Enclose details of your name, address and telephone number and when and where the product was purchased, together with proof of purchase (e.g. a till receipt).
- Give exact details of the nature of the defect.

This Guarantee does not cover any other claims whatsoever, including, without limitation, any liability for incidental, indirect or consequential damage, nor does it cover any claims for conversion or modification or for the costs of repair carried out by any third party without the prior consent of Dualit. If replacement parts are fitted to the product this will not extend the period of the Guarantee.

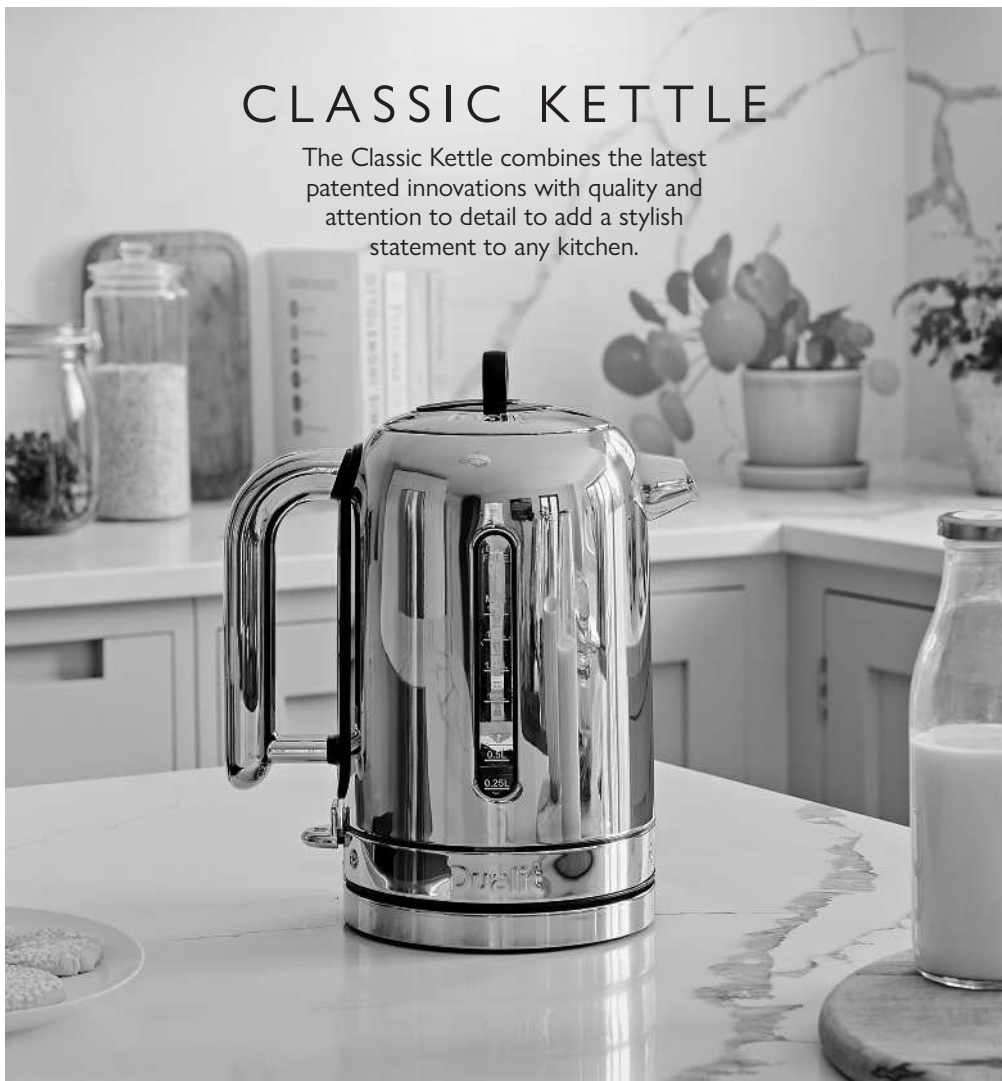
For further advice contact the Dualit customer helpline on +44 (0)1293 652 500 (09:00 to 17:00 Monday to Friday).

Alternatively, email Dualit at info@dualit.com or visit www.dualit.com

Do not throw away the appliance with the normal household waste at the end of its life, but hand it in to an official collection point for recycling. By doing this you help preserve the environment.

CLASSIC KETTLE

The Classic Kettle combines the latest patented innovations with quality and attention to detail to add a stylish statement to any kitchen.



Dualit®



Dualit Limited County Oak Way Crawley West Sussex RH11 7ST
+44(0)1293 652 500 info@dualit.com www.dualit.com

