

EXTENDING THE LIFE OF YOUR CAFÉ PLUS CAPSULE MACHINE

Dualit[®]
Since 1945



KNOW YOUR CAFÉ PLUS CAPSULE MACHINE

COFFEE BUTTON

PRESS ONCE FOR ESPRESSO
PRESS TWICE FOR LUNGO

TEA BUTTON

CAUTION: ONLY USE FOR TEA. NEVER USE TEA BUTTON WITH COFFEE CAPSULE.

NOZZLE

CAPSULE BASKET

DRIP TRAY COVER

DRIP TRAY

POWER SWITCH

LEVER

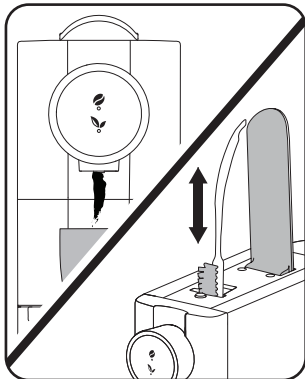
WATER TANK LID

INTERNAL VIEW

FILTER PLATE

WATER TANK

EXTRACTION TIME



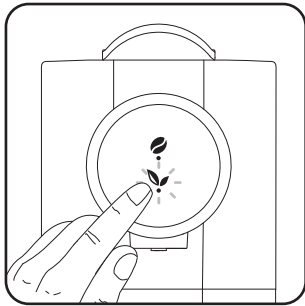
Your Dualit Café Plus has a Filter Plate used to create the smooth espresso crema. This needs regular cleaning to maintain optimum performance. If you notice your coffee is extracting slowly or not at all, please refer to the Cleaning Section within your Instruction Manual.

Extraction between **10 and 40 seconds for a 35ml espresso shot** is within the **normal range**.

If extraction lasts longer than 45 seconds, please follow the cleaning procedure found on page 16 within your Instruction Manual, then carry out a descale.

THE TEA FUNCTION

ON YOUR CAFÉ PLUS CAPSULE MACHINE

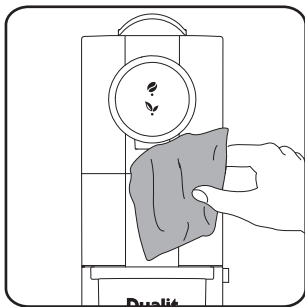


It is important to note that you must not use the Tea Button to extract coffee capsules. Please carefully select the required button. Failure to do so may block your filter plate, preventing or slowing down extraction.

CAUTION: Do not use tea function with coffee capsules, this may damage your machine and invalidate warranty. Please see Cleaning Section within your Instruction Manual on p.16 if you extract a coffee capsule using the Tea Button.

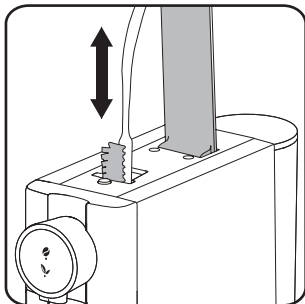
CLEANING AND DESCALING

YOUR CAFÉ PLUS CAPSULE MACHINE



IMPORTANT NOTICE: PRODUCT FAILURE DUE TO THE BUILD-UP OF LIMESCALE IS NOT COVERED BY WARRANTY.

Dualit recommends cleaning and descaling regularly, in a well-ventilated area to prevent limescale build up in the machine. **Please note: Always clean your machine before beginning the descaling process. Refer to page 16 for the Cleaning Section within your Instruction Manual.**



CLEANING YOUR FILTER PLATE

Use a small brush to remove any build-up of debris on the Filter Plate. A soft toothbrush or something similar works well. A torch may be useful to check the plate is completely clean. Once cleaned, use the descaling steps to clean inaccessible parts within the machine.

CAUTION: Do not use sharp implements, risk of machine damage.

Visit dualit.com/products/cafe-plus
for the most recent Instruction Manual

Dualit

Dualit Limited County Oak Way Crawley West Sussex RH11 7ST
+44(0)1293 652 500 | info@dualit.com | www.dualit.com

GB-A