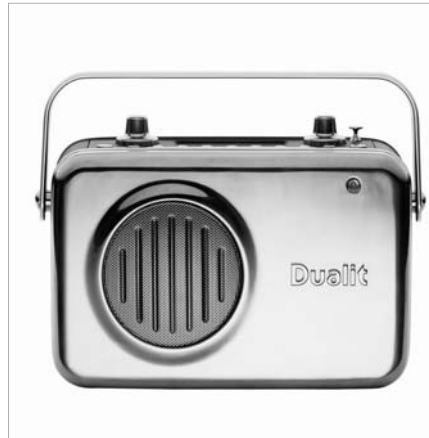


Dualit®



DUALIT KITCHEN RADIO

INSTRUCTION MANUAL

CONTENTS

SAFETY PRECAUTIONS	3 / 4	FM MODE	10
PACKAGE CONTENTS	4	FM TUNING	
PARTS AND CONTROLS	4 / 5	FM PRESETS	
RADIO HOUSING		INPUTS AND OUTPUTS	10
CONTROLS		AUX IN	
INPUTS AND OUTPUTS		SPEAKER OUT	
QUICK START	6	HEADPHONE	
SETTING UP	6 / 7	DIGITAL OUT	
CLOCK AND DATE		BACKLIGHT	10
ALARM		TROUBLESHOOTING	11
SNOOZE		SERVICING	11 12
KITCHEN TIMER		RESET TO FACTORY SETTINGS	
SLEEP		REPLACING THE BATTERY	
BATTERY	7	REPLACEMENT PARTS	
DAB MODE	8 / 9	CLEANING	
AUTO DAB TUNING		FAULTS	
MANUAL DAB TUNING		GUARANTEE	
STORING PRESETS		PRODUCT SPECIFICATION	13
DAB DISPLAY		SOFTWARE VERSION	13
STATION ORDER			

THE DUALIT KITCHEN RADIO

The Dualit Digital Kitchen Radio offers the most advanced sound quality. The extra large screen makes navigating easy from a choice of DAB and FM. The internal NiMH rechargeable battery pack means you can enjoy your Dualit radio anywhere in the home.

CAREFULLY READ ALL THE INSTRUCTIONS BEFORE USING THE RADIO. KEEP THESE INSTRUCTIONS IN A SAFE PLACE FOR FUTURE REFERENCE.

SAFETY PRECAUTIONS

Always follow these safety guidelines and warnings when using the radio to avoid personal injury or damage to the radio.

SAFETY PRECAUTIONS

- Do not plug the appliance in before checking the voltage indicated on the charger label is the same as the mains voltage
- Ensure liquids and foreign objects do not get into the radio housing
- Keep radio away from heat sources and direct sunlight
- Use only the charger supplied to charge the battery or to use mains power
- Do not use outside with charger
- Always unplug the mains supply cord prior to cleaning the radio
- Allow a 2cm clearance around the radio housing when in use
- Do not remove metal castings or any other parts, this will invalidate your warranty and is dangerous
- Never use abrasive, liquid, aerosol cleaners or brushes on the radio
- Do not use the radio charger if the power cord is defective
- To reduce the risk of fire or shock, do not expose the radio or charger to water or moisture
- Inside the radio there are hazardous voltages and non-user serviceable parts
- To prolong the battery life, turn off power switch (22) when not plugged in or radio is not in use
- If removed, keep the battery pack out of reach of small children

SAFETY PRECAUTIONS

- No naked flame, such as lit candles, should be placed on or near the radio
- Misuse of the radio may result in hazardous radiation exposure



- **Do not handle a damaged or leaking battery pack.** Contact with the material can result in injury or burns to the eyes or skin. Even if foreign substances are not immediately visible, chemical changes in the material can result in injuries at a later date
- Do not disassemble or tamper with the battery pack
- The radio is sensitive to electrostatic discharges

Save these instructions

PACKAGE CONTENTS

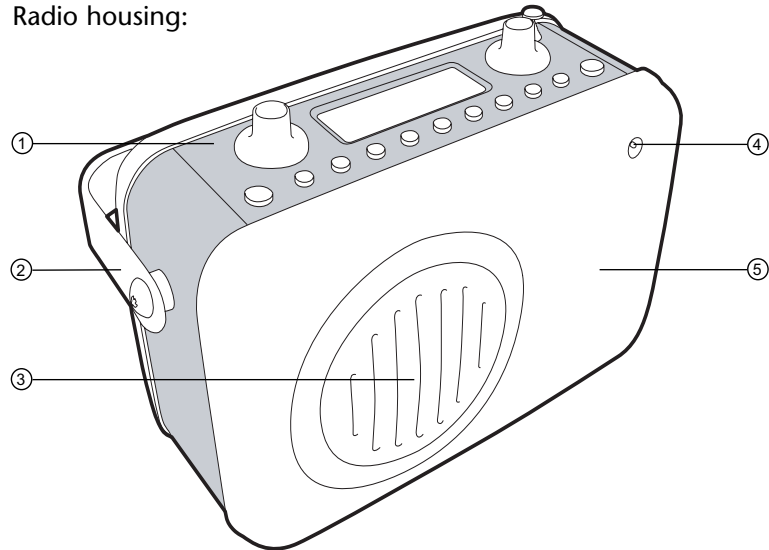
Before using the radio, check the following items are in the box:

- Dualit Kitchen Radio
- 10.5V AC/1.8A Power adaptor, cord and plug
- Instruction manual

If above items are missing or damaged, please contact place of purchase.

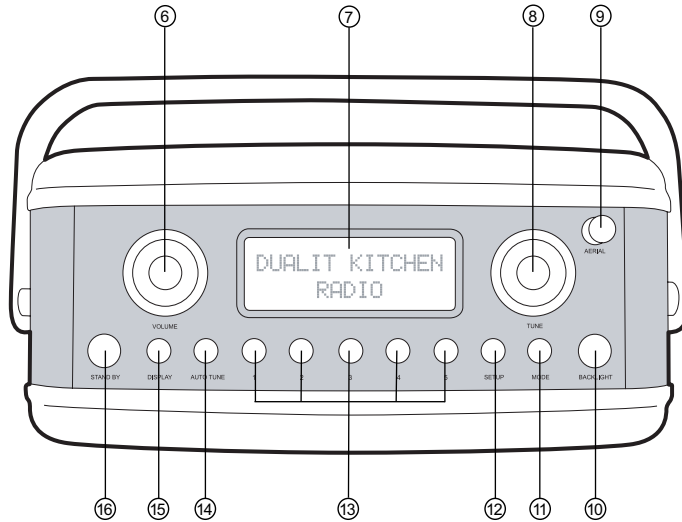
PARTS AND CONTROLS

Radio housing:



PARTS AND CONTROLS

Controls - Top view



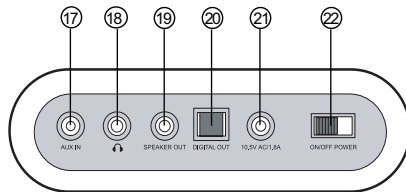
Radio housing

1. Soft Touch central body
2. Carry Handle
3. Speaker
4. Power LED
5. Cast metal body

Controls

6. Volume
7. LCD display
8. Tuning
9. Aerial
10. Backlight
11. Mode
12. Set up
13. Presets
14. Autotune
15. Display
16. Standby

Inputs and outputs - Rear view



Inputs and outputs

17. Aux in
18. Headphone
19. Speaker out
20. Digital out
21. 10.5V AC/1.8A
22. ON/OFF Power switch

QUICK START

Here's a quick guide to get you started while you read the rest of the manual and familiarise yourself with the many features of your Dualit Kitchen Radio.

- Connect the mains power adaptor to the the back of the radio (21)
- Fully extend the 'AERIAL' (9) as far as it will go
- **SLIDE THE MAIN 'ON/OFF' (22) IN THE BACK OF THE RADIO TO THE 'ON' POSITION**
- Press 'STANDBY' (16) to turn on the radio. It will default to 'DAB' mode
- The radio will automatically perform a quick tune for available stations
- Turn the 'TUNE' knob (8) to cycle through stations. Push down on this knob to select the new station
- Adjust 'VOLUME' (6) to the desired level
- Press the 'MODE' Button (11) to change to 'FM' or 'AUX IN' modes.

SETTING UP

Press and hold 'SETUP' (12) for 2 seconds to access setup menu, then rotate the 'TUNE' knob (8) to scroll through the options displayed on screen, then push the knob down to select that option. References to the 'TUNE' knob (8), unless otherwise stated, requires use of this action. Once you have completed setting up your radio, press 'SETUP' (12) to exit and return to radio mode.

CLOCK AND DATE

Tuning into a DAB station will automatically set the clock and date.

Alternatively, to manually set, press and hold 'SETUP' button (12) for 2 seconds .

Select '*Set Clock*' using 'TUNE' knob (8).

You will be asked for the *Year, Month, Day, Hour and Minutes*.

Using the 'TUNE' knob (8) select and set the correct time and date.

ALARM

To set alarm, hold 'SETUP' for 2 seconds.


Cycle through the options using the 'TUNE' Knob (8) and select '*Alarm*'.

Using the 'TUNE' knob (8) set the '*Hour*' and '*Minutes*' to required time.

Select how often you would like the alarm to sound: *Once only, Daily or Weekdays*.

ALARM

Select the alarm type: '*DAB/FM*' radio, '*Buzzer*' or '*Off*' using the 'TUNE' knob (8). To deactivate the alarm feature, set the alarm type to the '*off*' position.

Once the alarm type is selected it will exit setup and a bell symbol will appear  on the top right of the screen.

To turn off the alarm or to activate the snooze feature press 'STANDBY' (16).

SNOOZE

Hold 'SETUP' (12) for 2 second. Select the '*Snooze*' feature using 'TUNE' knob (8).

Select the snooze time required between '*0-9 Minutes*'. '*0*' being the off setting.

Press the 'STANDBY' button (16) to activate snooze once the alarm sounds.

'z' will flash on screen when this is active

SETTING UP

KITCHEN TIMER

The kitchen timer feature will countdown from a desired time and sound a buzzer.

Press and hold 'SETUP' (12) for 2 seconds. Cycle through the options using the 'TUNE' Knob (8) and select the 'Timer'.

Firstly select the approximate time for countdown *5, 10, 30 Mins* or *2, 12 Hours*.

Then using the 'TUNE' knob (8) set the exact time delay from the starting points.

The buzzer will activate once the timer has countdown to zero. Press 'STANDBY' button (16) to switch off the buzzer.

SLEEP MODE

Radio turns off after a set period of time.

Press and hold 'SETUP' (12) for 2 seconds. Select 'Sleep' option using the 'TUNE' Knob (8) Choose the number of minutes from '1 - 90' and set to the 'On' position.

You can turn off sleep mode anytime by setting to 'Off' position in this menu.

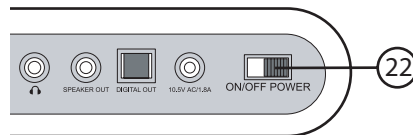
A 'S' will flash in the top right corner of the screen when this feature is activate.

BATTERY

Your Dualit radio includes a rechargeable NiMH battery for portable listening.

When using the radio with battery power and not mains voltage, the ON/OFF switch (22), located at the rear of the radio, MUST be turned to the OFF position when the radio is not in use.

Leaving the switch in the ON position and the radio in STANDBY will drastically shorten the life of the batteries and a new battery pack will have to be purchased. (Available from Dualit Ltd, see page 12)



To Charge: Connect the AC power adaptor to the power socket (21) on the back of the radio and charge until 'Full battery' is displayed on the LCD screen.

The battery is supplied uncharged and requires a full 16 hour charge before first use. The switch (22) on the back of the radio must be ON to charge.

With a partially charged battery This will take approximately 10 - 13 hours.

Once charged and after using the radio with battery power, **remember** to turn OFF power switch (22).

Note: If the battery is new or unused for several weeks, it may take up to 4 charge/discharge cycles before the battery is at full capacity.

Charging the battery while in 'standby' position will achieve fastest charge time.

The display will read 'Battery Charge' when charging and 'Full Battery' once fully charged.

The 'LCD DISPLAY' (7) will flicker between 'Battery Charge' and 'Full Battery' while the battery charge status is determined. When the NiMH battery requires charging 'Low Battery' will flash on the screen.

A new battery will give 3 - 4 hours play time in DAB mode, 7 - 8 hours in FM mode. Battery times may vary, depending on volume and mode the radio is used in.

Use only the Dualit supplied AC power adaptor provided with the radio for charging and mains power operation. The lifespan of the battery will vary with product usage and storage conditions.

DAB MODE

AUTO DAB TUNING

Your DAB radio tunes and sets up with minimal effort. All available frequencies are automatically picked up by the radio.



When you turn on the radio, it will perform a Auto tune. All available stations will display alphanumerically.

You can change the display order setting, See 'Station order' on page 7.

If no stations are found during the autotune 'No stations available' will be displayed.

Ensure the 'AERIAL' (9) is fully extended and move the radio to a different location and press the 'AUTOTUNE' button (16).

If this fails you may be in an area with no digital radio coverage. Visit sites such as <http://www.bbc.co.uk/digitalradio> for coverage.

MANUAL DAB TUNING

You can manually tune DAB frequencies to get the best possible signal and will aid in determining the best position for the radio.

Momentarily press the 'SETUP' button (12) and cycle through the options until you reach 'Manual tune'.

You will now see the numerical DAB frequencies.

A signal strength bar will appear next to the radio station. The hollow block is the minimum signal required.

Move the radio or aerial until the solid blocks are on or above the hollow block.

You can view this signal bar anytime while listening in DAB mode by clicking down on the 'TUNE' Button (8).



STORING PRESETS

You can store up to 5 DAB presets.

Tune into the station you wish to store.

Then press and hold one of the five corresponding 'PRESET' buttons (13) for 5 seconds.



The above display will show if successfully saved to presets.

DAB DISPLAY

DAB transmits a range of text information along with its audio broadcast.

Momentarily press the 'DISPLAY' button (15) while in DAB mode will cycle through the information.

- **DLS (Scrolling Text)** - Dynamic label segment is a scrolling text display that the broadcaster may include

DAB MODE

DAB DISPLAY

with transmissions. This text may include current song playing, text numbers for competitions, etc



BBC Radio 4
e Archers: featu

- **Programme type** - This shows the type of station e.g. 'Pop Music'
- **Ensemble (Group Name)** - DAB signals are broadcast in groups at local and national levels. The group layering is called Multiplex and displays what signal you are receiving and from whom. e.g. BBC range of stations
- **Time and Date** - The current time and date is sent by the broadcaster. The clock automatically sets to this time when listening in DAB mode

- **Signal frequency** - Current station channel and frequency is displayed
- **Signal info** - Information on the signal. Is it Mono or Stereo and the transmission bit-rate. The higher the bit-rate the better the sound quality
- **Signal error** - This shows a real time view of your current signal status. You can use this feature to locate the best possible signal by moving the radio or aerial (9).



BBC Radio 4
SIGNAL ERROR 18

The lower the signal error the better the signal strength. 0-20 is a good signal, 21-40 is a borderline signal, 40-99 requires moving radio to a better position.

STATION ORDER

Changes the order of the DAB station list. Momentarily press the 'SETUP' button (12) and scroll to 'Station Order'.

- **Fav station** - This displays the 10 most recently listened too stations
A heart symbol & favourite number is displayed beside each fav station
- **Auto Presets** - Only active when 'Fav station' setting is selected. When selected the top 5 favourite stations will automatically be set to the button presets (4)
- **Alphanumeric** - Alphabetical order
- **Active Station** - Working stations are listed at the beginning of the station list with remainder following alphanumerically
- **Prune** - Removes stations in list with no reception in you current location.

FM MODE

To listen to FM radio stations momentarily press the 'MODE' button (11) until 'FM' is displayed on the screen.

The first time you turn on the radio it will start at '87.5MHz' otherwise it will tune to the last station listened to.

FM TUNING

You can manually tune or autotune to find a FM station.



FM 98.8MHz

Manually by using the 'TUNE' Knob (8). Rotate it to the desired frequency then click down to select.

Momentarily press the 'AUTO TUNE' button (14) to scan to next available station with good enough signal.

Moving the 'AERIAL' (9) or radio may improve signal strength and reception.

FM PRESETS

You can store up to 5 FM presets.

Simply tune into the station you wish to store.

Then press and hold the corresponding preset button (13) for 5 seconds.

The station will be stored to this preset.

INPUTS AND OUTPUTS

AUX IN

You can listen to auxiliary devices on your radio speaker. Devices such as MP3 players, CD players, Laptops, etc.

Any device with 'Audio out' or 'Headphone' socket can be used.

You will require a 3.5mm to 3.5mm or dual phono stereo cable to connect.

Momentarily press the 'MODE' button (11) until you reach 'Aux in'.

Plug in the auxiliary device using a 3.5mm cable into socket (17).

INPUTS AND OUTPUTS

SPEAKER OUT

An additional speaker may be added to listen in stereo sound.

The internal radio 'SPEAKER' (4) will work along side the external speaker or device.

HEADPHONE

For private listening, connect headphones with a 3.5mm connector to socket (18).

The 'SPEAKER' (4) will be muted when the 'HEADPHONE' (18) socket is in use.

DIGITAL OUT

Your DAB radio is equipped with 'S/PDIF' (20) optical digital out. **DAB MODE ONLY**

This provides a digital signal to external amplifiers or devices with an optical input for clear sound without losing any of the quality of the digital broadcast.

BACKLIGHT

There is 3 brightness levels for the LCD display (7). Press the 'BACKLIGHT' button (10) to cycle through the 3 levels.

TROUBLESHOOTING

1. My radio will not switch on

- a) Ensure the plug is correctly inserted in the mains socket and check the main 'ON/OFF' switch (22) located on the back of the radio is in the 'ON' position.
- b) If not using the mains supply, check the battery is charged.

2. I hear an electronic sound

- a) This is when the signal is nearly lost or borderline. Ensure the 'AERIAL' (9) is fully extended or try relocating the radio using 'Signal error' feature, page 9.

3. The display reads 'NO STATIONS AVAILABLE' in DAB mode

- a) The DAB signal is not strong enough. Ensure the 'AERIAL' (9) is fully extended. Try Manually tuning the station frequency.
- b) If this fails move the radio to a location with better signal.

4. The clock resets or is wrong

- a) The clock may reset if the power adaptor is disconnected and the battery is flat. Connect the power adaptor and tune into a DAB station which auto sets the time or manually re-set the time, Page 5.
- b) The time broadcasted by the DAB station may be incorrect. Tune into another DAB station.

5. A '?' is displayed next to the station name in DAB mode

- a) You are outside the broadcast area or the station is inactive.

6. I see '<<' or '>>' next to the DAB station name

- a) The broadcaster has a secondary service broadcasting. The next station on the list will be the secondary service. This can be alternative music or an information service. Transmission times vary.

SERVICING

RESET TO FACTORY SETTING

This will remove all favourites, presets and all settings will reset to default.

Press and hold the 'DISPLAY' button (15) for 2 seconds to reset to factory settings. **This cannot be undone.**

REPLACING THE BATTERY

Disconnect the mains adaptor before attempting to change the battery. Remove screws holding the battery cover in place with a screwdriver.

Lift the battery cover off, Remove battery from recess, disconnect the lead from the battery pack and replace with the new battery pack, ensuring it is correctly connected.

Replace the battery cover by inserting bottom lip first, then screw back on.

Ensure the battery disposal is carried out in a environmentally friendly way, in accordance with local guidelines.

SERVICING

REPLACEMENT BATTERY

The service technician should ensure only batteries specified by Dualit are used when repairing the radio.

CAUTION: To reduce the risk of fire or personal injury, use an exact replacement Dualit Kitchen Radio battery pack, available from Dualit or our authorised dealers, dispose of the used battery in a environmentally friendly & correct manner.

ELECTROSTATIC DISCHARGE

The radio is sensitive to electrostatic discharges and may not function properly as a result. In this case please disconnect the device from its mains supply and reconnect shortly thereafter. You can then continue to use the radio normally.

CLEANING

Unplug the radio and wipe with a damp soft cloth.

CLEANING

Never use abrasive, liquid, aerosol cleaners, brushes or scouring pads.

This radio must not be immersed in water or cleaned with a water jet.

FAULTS

Call Dualit careline or service agent for further assistance. If you encounter any of the following problems with your radio:

- The power cord or plug is damaged
- Objects have fallen through or liquids have been spilled into the radio openings
- The product has been exposed to moisture or water
- The product does not operate normally when following the operating instructions.

GUARANTEE

If your radio fails within one year from date of purchase we will repair or replace it free of charge provided:

- You have not misused, neglected or damaged it
- It has not been modified
- You supply your receipt to show when you bought radio

As batteries are a wearable part these are excluded from the guarantee

The guarantee does not affect your statutory rights.

Further advice on using your Dualit radio and other products in the Dualit Range is always available:

Contact the Dualit customer careline on **+44(0) 1293 652 500** (09:00 to 17:00 Monday to Friday) or email your enquiry to **info@dualit.com**.

PRODUCT SPECIFICATION

Frequency range:

- DAB: Band III 174 ~ 240 MHz
- FM: 87.5 ~ 108 MHz / step 0.1 MHz

Tuning:

- Auto station search and tune
- Manual DAB / FM tuning
- 5 station presets for each mode

Acoustics:

- 4" Full Range Mono Speaker
- 8 WRMS @10%THD
- Frequency: 80 Hz ~ 18 kHz
- Bass port

Inputs:

- DAB / FM Telescope antenna
- AUX IN.

Outputs:

- Stereo Headphone 3.5mm
- Optical SPDIF Digital Output

Unit controls and features:

- Standby, Display, Auto tune, 5 preset buttons, Backlight, Rotary volume, Rotary tune/select, Main On/Off. Clock, Alarm, Snooze, Sleep mode and Kitchen timer

Display:

- Oversize LCD white on blue easy view display 75 x 25 mm
- 3 Brightness levels
- Blue LED Power indicator

Weight and dimensions:

- 2.55 Kg
- 275 x 180 x 150 mm

Power:

- Built in NiMH rechargeable battery with 3 - 4.5 hours battery life in DAB mode and 7 - 8 hours in FM mode.
- Adaptor:230V/10. 5V a.c,1800mA Battery:9.6V d.c, 2200mAh.

SOFTWARE VERSION

To view the software version installed on your radio, momentarily press 'SETUP' (12) and cycle through to 'Sw version'.

The software version number is displayed on the screen.

This number is for your reference only and cannot be altered.

You may be asked for this number when contacting our customer careline for technical support.

Dualit® **CE** 

DUALIT LIMITED COUNTY OAK WAY CRAWLEY WEST SUSSEX RH11 7ST

TELEPHONE: +44 (0) 1293 652 500 FACSIMILE: +44 (0) 1293 652 555

EMAIL: info@dualit.com WEB: www.dualit.com