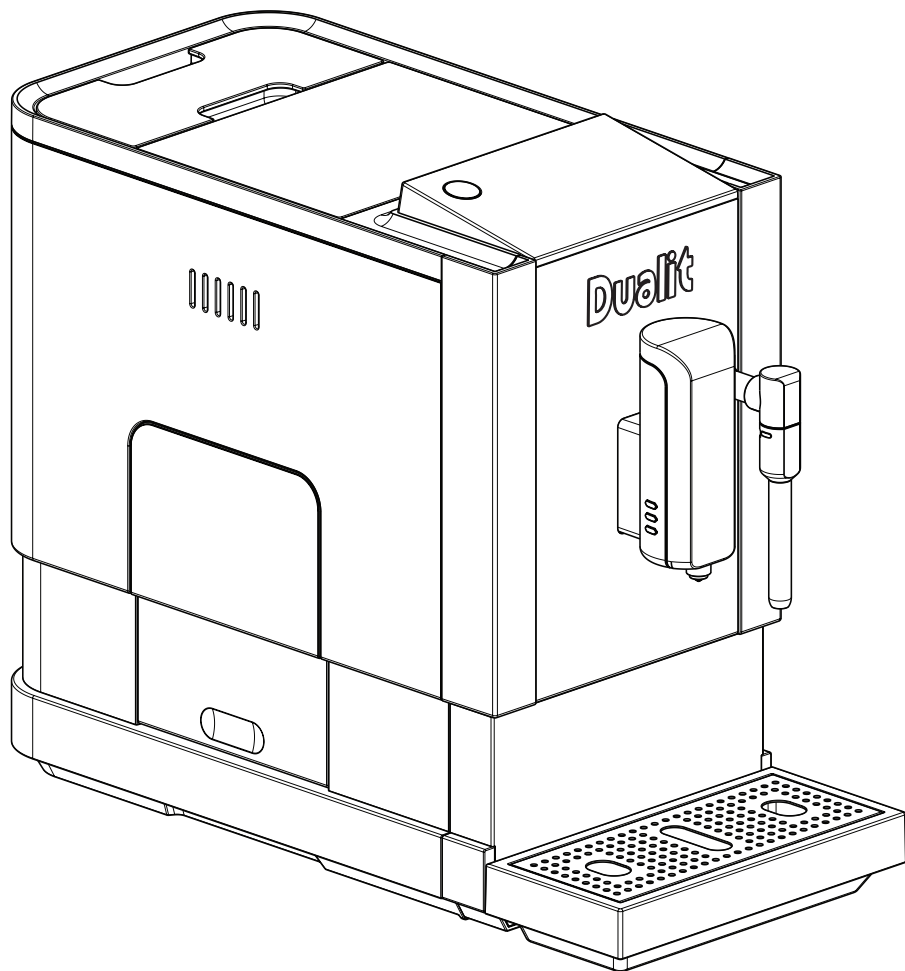


Bean to Go Coffee Machine

Instruction Manual & Guarantee

Dualit®

Since 1945



DON'T FORGET
TO REGISTER
YOUR PRODUCT

WWW.DUALIT.COM/REGISTER

OR BY POST



Register ✓
my appliance

YOUR COFFEE MACHINE

High pressure espresso machines, such as your new Dualit Bean to Go require constant care and maintenance to prolong their life.

Please remember to:

- **Rinse through and wipe the steam wand after every use**
- **Descale your machine on a regular basis**
- **Manual Rinse after each use**

REGISTER YOUR PRODUCT

1. **Fast and efficient customer service** important safety advice, access to manuals and product information should you require assistance with your purchase.
2. **A library of mouth-watering recipes** and regular articles and blogs.
3. **Be the first to hear** about exciting new Dualit products.

Dualit recommends safety first: please register your product so that we can contact you in the unlikely event that a safety notification is issued. Remember to keep your receipt as proof of purchase.

DON'T FORGET
TO REGISTER
YOUR PRODUCT

WWW.DUALIT.COM/REGISTER

OR BY POST



Register 
my appliance

Unpack the box with care, keeping all the packaging materials until you are satisfied everything is present and in working order. Once satisfied remove any tags from the appliance body and recycle the packaging appropriately. Do not remove tags from the cord. You may wish to keep the box to store your appliance. See dualit.com for the latest guidance and advice.

All illustrations are for representation only; your model may vary from illustrations shown.

CONTENTS

Your Coffee Machine	02
Safety precautions	04
Before first use	05
Know your Coffee Machine	06
Limescale Warning	08
Machine modes and settings	11
Setting up	12
Using your Coffee Machine	16
Warming milk	18
Frothing milk	19
Dispensing hot water	20
Auto shut-off	20
Programmable dosing	21
Grind size adjustment	21
Descale	22
Empty system	23
Manual rinse	23
Cleaning	24
Barista training	27
Recipes	30
Troubleshooting	32
Guarantee	37



IMPORTANT SAFETY PRECAUTIONS



READ ALL INSTRUCTIONS

BEFORE USING THE BEAN TO GO COFFEE MACHINE. KEEP THESE INSTRUCTIONS FOR FUTURE REFERENCE.

IMPORTANT SAFEGUARDS

- **THIS IS AN ATTENDED APPLIANCE.**
Do not leave unattended during use, unplug after each use (risk of fire if an unattended appliance is left operating or plugged in).
- This appliance must not be used by children younger than 8 years old and persons with very extensive and complex disabilities. Children aged 8-14 years and persons with reduced physical, sensory or mental capabilities or lack of experience and knowledge shall not use this appliance, unless they are supervised and have been given instruction concerning the use of the appliance in a safe way and understand the hazards involved. Children shall not play with the appliance. Cleaning and user maintenance shall not be made by children unless they are older than 8 and supervised. Keep the appliance and its cord out of reach of children less than 8 years old.
- Children shall not play with the appliance.
- This appliance is intended for indoor household use only. If the appliance is used improperly or for professional or semi-professional purposes or if it is not used according to these instructions the Guarantee becomes invalid and Dualit refuses any liability for damage caused.

Electrical safety

- Ensure that the voltage of the appliance corresponds to that of the mains supply.
- **WARNING:** This appliance must be earthed.
- Do not operate any appliance with a damaged lead or plug, or after the appliance malfunctions or has been damaged, cracked or dropped in any manner. If the supply cord is damaged, it must be replaced by Dualit LTD, it's service agent or a similarly qualified person in order to avoid a hazard.
- Never touch the cable with wet hands.
- Unwind and straighten the power cord before using the appliance.

- The use of extension cables not authorised by the manufacturer may cause damage or accidents.
- Disconnect the appliance from the mains supply outlet under the following conditions:
 - Before the Water Tank is filled with water.
 - Before removing any parts from the appliance or refitting any parts on the appliance.
 - Before cleaning or maintenance.
 - When the appliance is not working correctly.
 - After using the appliance.
 - When not in use or unattended.

General safety

- Do not use the appliance if dropped, cracked or damaged.
- The use of accessory attachments not recommended by Dualit may result in fire, electric shock or injury to persons.
- Do not place the appliance on a polished wood or permeable surface, it could damage the surface.
- Do not place the appliance on a metal tray or other metal surface during use.
- Place the appliance on a firm and steady surface.
- Do not place the appliance over or close to sources of heat such as electric rings, hot ovens or open flames.
- Do not place the appliance on a wet or hot surface
- Do not use the appliance without water as this may cause damage to the pump/boiler.
- Do not leave the appliance in a room with a temperature below 0°C, as any water remaining in the appliance could freeze and cause damage.
- Do not overfill the Water Tank.
- Do not use sparkling water (with carbon dioxide).
- Never fill the Water Tank with hot or boiling water.
- Empty the Water Tank when the appliance is unused for a long period.
- Allow the appliance to cool before putting on or taking off parts and before cleaning.
- Always use cold water to make coffee. Warm water or other liquids could cause damage to the appliance.
- Only use the appliance with the Drip Tray fitted.
- Use the grinder for grinding coffee beans only.
- Do not immerse the appliance in water or other liquids.

- Do not insert finger/other object into grinder.
- If there is internal water leakage, do not operate the appliance and unplug it at once in order to avoid electric hazard.
- Turn the appliance off and unplug when not in use. **Risk of fire.**
- To prevent damage to the appliance do not use alkaline cleaning agents when cleaning, use a soft cloth and a mild detergent.
- Do not use scouring pad or abrasive cleaner on the main body.
- Steam and hot water hazard. Do not get into direct contact with hot liquid and steam.
- **DANGER: Beware of hot water/steam spurting out of the Coffee Nozzle during self-clean. This will occur each time the appliance is turned on.**
- Unplug and allow to cool prior to moving.
- Do not place on a tray or surface that may collect liquid.
- The power supply cable should not be allowed to come into contact with hot surfaces. Do not let the power cord hang over the edge of a table or counter.
- We recommend that the appliance is plugged into a socket that has no other appliance connected to it. Failure to do this may cause an overload, trip a circuit breaker or blow a fuse. Preferably the socket outlet should be protected by a residual current device (RCD).
- Do not come into contact with the coffee outlet. **Risk of scalding.**
- Do not use the appliance when it is not working properly.
- Do not unplug the appliance by pulling on the power cord.
- Do not place the cord on a sharp edge.
- Do not attempt to open the main body or dismantle any parts from the appliance, there are no serviceable parts inside.
- Do not operate the hot water function continuously for more than one tank of water.
- Do not spill any liquid on the power connector.
- The appliance shall not be placed in a cabinet.

SAVE THESE INSTRUCTIONS

In the interest of improving products, Dualit Ltd. reserves the right to change the product specification without prior notice.

All illustrations are for representation only, your model may vary from illustrations shown.

INSTRUCTIONS ON ENVIRONMENT PROTECTION

Do not dispose this product in the usual household garbage at the end of its life cycle. Please hand it over to a collection point for the recycling of electrical and electronic appliances. The symbol on the product, the instruction of use or the packaging will inform you about the methods of disposal. The materials are recyclable as mentioned on its marking. By recycling, material recycling or other forms of re-utilization of old appliances you are making an important contribution to protect our environment. Please enquire at the community administration for the authorised disposal location.



BEFORE FIRST USE

- Read this instruction manual before you start using the coffee machine. It gives you important safety information and will ensure you get the most out of your Dualit product.
- Keep this manual and your proof of purchase in a safe place.
- Don't forget to register your product at www.dualit.com/register

THE COFFEE MACHINE MUST BE FLUSHED THROUGH WITH WATER BEFORE THE FIRST USE.

1. The Water Tank, Steam Wand and Metal Cover must be washed with warm soapy water, then rinsed and dried.
2. Follow the instructions for set up on page 10, ensuring a Manual Rinse is performed by holding down the Power and Hot Water buttons for 5 seconds.

KNOW YOUR BEAN TO GO COFFEE MACHINE

COFFEE BEAN HOPPER COVER

COFFEE BEAN HOPPER

WATER TANK (1.2L)

GRIND SIZE SELECTOR KNOB

POWER BUTTON

SERVICE DOOR

INFUSER

INFUSER SUPPORT

ADJUSTABLE COFFEE NOZZLE

CONTROL PANEL



TOUCH-SENSITIVE AREAS

STEAM INDICATOR LIGHT

STEAM NOZZLE

STEAM WAND

STEAM WAND METAL COVER

COFFEE GROUNDS CONTAINER

INTERNAL DRIP TRAY

EXTERNAL DRIP TRAY COVER

EXTERNAL DRIP TRAY

ACCESSORIES

POWER CORD

CLEANING BRUSH

CLEANING CLOTH

DESCALER X 3

LIMESCALE WARNING!

HARD WATER WILL CAUSE LIMESCALE BUILD-UP, RESULTING IN BLOCKAGES THAT WILL CAUSE PERMANENT DAMAGE OR WILL DECREASE THE LIFE OF YOUR MACHINE. TO PREVENT THIS, DESCALE REGULARLY AND USE A WATER SOFTENER.





IMPORTANT NOTICE: PRODUCT FAILURE DUE TO THE BUILD UP OF LIMESCALE IS NOT COVERED BY GUARANTEE.

STEP 1:

Confirm the exact hardness of the water in your area with your local water company, or use quick reference map as a guide.

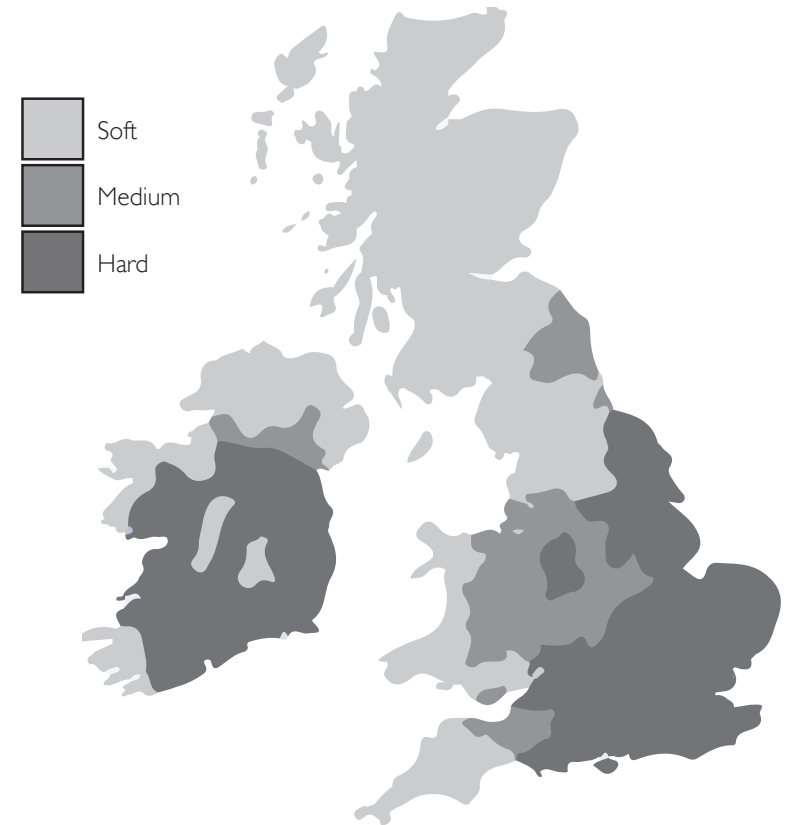
Find your water company on the OFWAT site (ofwat.gov.uk/contact-companies) and check the water hardness of your area.

If you are unable to establish the water hardness of your area, or require further support, contact Dualit Customer Services on 01293 652500.

WATER HARDNESS		ACTION FREQUENCY			
Hardness level	CaCO ₃ mg/l	Descale	Water Softener		Slow Coffee Extraction or Drop in Steam Output
Soft 	0-100	At Least Once Every 2 Months or Every 100 Cycles	Replace Annually	Descale Immediately	Descale Immediately
Medium 	101-200	At Least Once Per Month or Every 50 Cycles	Replace Bi-Annually	Descale Immediately	Descale Immediately
Hard* 	201+	At Least Once per Month or Every 25 Cycles	Replace Bi-Annually	Descale Immediately	Descale Immediately

*Treat bottled water as hard water.

BRITISH ISLES WATER HARDNESS MAP



STEP 2:

You must use an OSCAR 150 WATER SOFTENING BAG (available at dualit.com) in medium and hard water areas, but Dualit recommends the use of a water softener in all areas. Follow the manufacturer's instructions for use.

STEP 3:







Dualit recommends using Kilrock-Espresso Machine limescale removing solution (available at dualit.com). Follow the manufacturer's dosage and safety/handling precautions.







For further assistance, contact Dualit Customer Services on 01293 652500.

- SEE DESCALE INSTRUCTIONS FOR FULL DESCALE PROCEDURE AND FURTHER DETAILS.
- USER MUST DESCALE USING A SPECIFIC LIMESCALE REMOVING SOLUTION, COFFEE MACHINE CLEANERS WILL NOT DESCALE YOUR MACHINE.

KNOW YOUR BEAN TO GO




COFFEE MACHINE- BUTTONS AND WARNINGS

BUTTONS	FUNCTION
	Power Button - Press to turn machine on/off
	Double Shot Button - Press to dispense 2 shots of coffee, the machine will grind and extract two 40ml shots
	Steam Button - On the first press the machine will warm up the boiler to produce steam, indicated by Steam Indicator Light LED flashing. Once the boiler reaches the correct temperature this LED will turn solid. Press again to dispense steam
	Hot Water Button - Press to dispense hot water
	Espresso Button - Press to dispense espresso coffee
	Lungo Button - Press to dispense lungo coffee

WARNING ICONS	MEANING
	Water Tank Warning Flashing: Low water level / Water Tank is missing - please refill and replace Water Tank (page 16)
	Coffee Bean Warning Solid Light: No more coffee beans in hopper - please refill (page 16)
	Grounds Container Warning Solid Light: Coffee Grounds Container is full - please empty (page 24) Flashing: Internal Drip Tray or Coffee Grounds Container is missing - please reinstall (page 24)
	Infuser Warning Solid Light: Infuser is missing or is incorrectly installed - please refit (page 25) Flashing: Service door is opened or not installed correctly. Please replace Service Door (page 25)
	Descal Warning - Failure to descale your machine will result in permanent damage not covered by your Guarantee. Solid Light: Descal is required - please descale (page 22) Flashing Light: Machine is currently descaling
	Empty System Warning Solid Light: Empty System Function is running - please do not touch the machine until this process has finished (page 23)

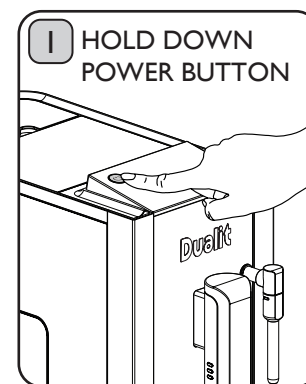
MACHINE MODES AND SETTING

The Bean To Go coffee machine has 3 different modes: ECO, Standard and Speed.

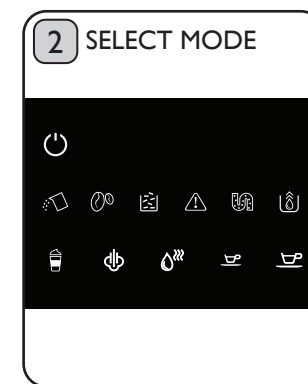
	ECO Mode	Standard Mode	Speed Mode
Illumination Light	No	Yes	Yes
Pre-Brewing*	Yes	Yes	No
Auto Shut-Off Time	10 Minutes	20 Minutes	30 Minutes
Selection Button			

*Note: The pre-brewing function moistens the ground beans in the Infuser with a small amount of water before full extraction. This expands the coffee grounds to build up greater pressure in the Infuser, helping to extract all the oils. This creates a fuller flavour from the ground beans.

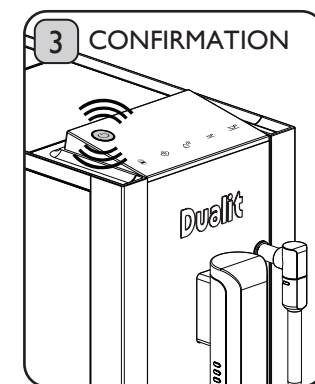
SELECTING MODES



Turn on machine by pressing and releasing the Power Button. Once the machine has turned on - hold down the Power Button for 5 seconds.



The machine's current mode will be indicated by a solid light shining through the relevant Selection Button. The other two Selection Buttons will be flashing.



To enter your desired mode, press the Selection Button as indicated in the Machine Modes and Setting table.

Your machine will beep twice to indicate that a mode has been selected. You may now use your machine as normal.

If you do not wish to change the settings, wait 5 seconds or press the Power Button again.

SETTING UP

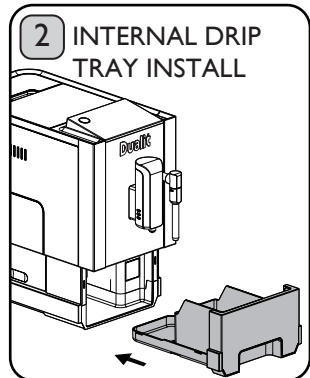
Ensure that your machine is unplugged and cool before starting. Remove all packaging and protective films from the Appliance, including the protective cover on the Control Panel, then follow the next steps to ensure your machine is set up correctly. This process will help you achieve optimum performance and will take approximately 15 minutes to complete. Note: The Control Panel will not work with the protective cover in place.

IMPORTANT NOTICE: PRODUCT FAILURE DUE TO THE BUILD UP OF LIMESCALE IS NOT COVERED BY GUARANTEE.

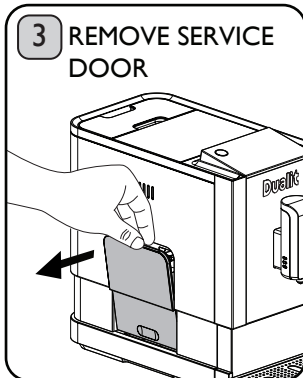
Dualit recommends descaling regularly, in a well-ventilated area, to prevent limescale build-up in the machine. See Limescale Warning on page 8 for frequency in your area in accordance with the hardness of your water. Dualit recommends the use of an OSCAR Water Softener Bag in all areas. See page 8 for further guidance. For more information, visit our website dualit.com/products/machine-care or contact our Customer Services on 01293 652500



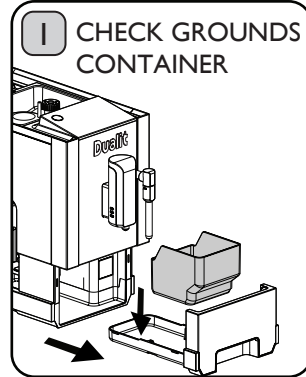
Register your product at dualit.com. This will only take 60 seconds. You will need the product model and serial number that are on the rating label on the base of the product.



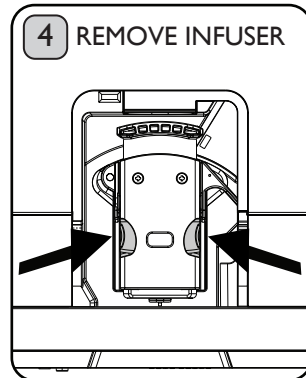
Install the Internal Drip Tray into the machine. The front of the Drip Tray must be flush with the machine, if it is not, there is likely to be an obstruction.



Press on the bottom of the Service Door to raise its top edge. Pull on the top edge to remove the Service Door.

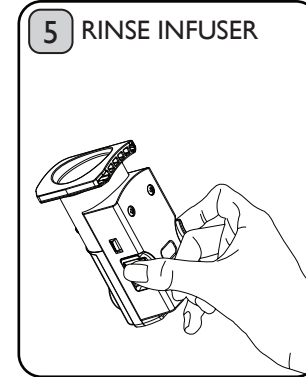
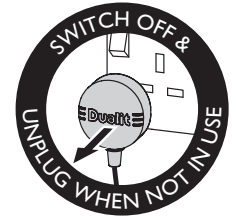


Remove Internal Drip Tray by pulling on the handle. Check that the Grounds Container is in place.

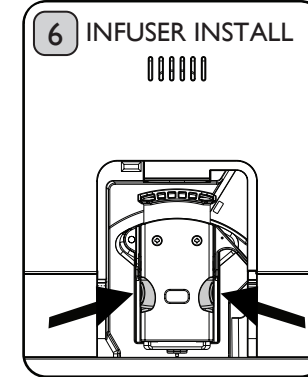


Remove the Infuser by pressing both the orange buttons inwards. Note: The Warning Light will turn on when the infuser is removed.

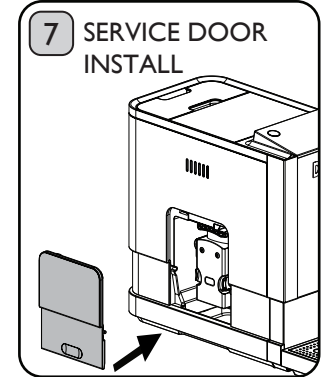
SETTING UP - CONTINUED



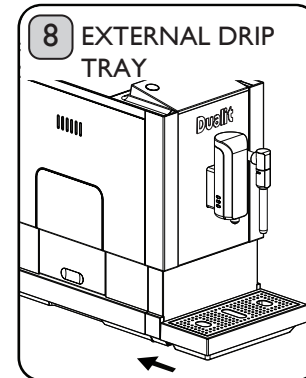
Rinse Infuser with warm water and dry afterwards. **DO NOT PLACE IN DISHWASHER.**



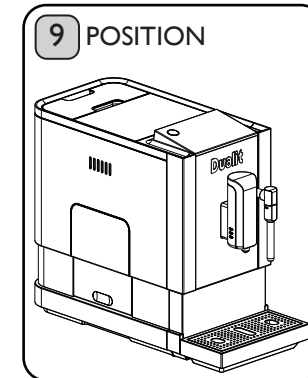
Push the Infuser into the Infuser Support. Ensure that both of the orange clips engage. There will be an audible click once engaged correctly. The Warning Light will show if the Infuser is installed incorrectly.



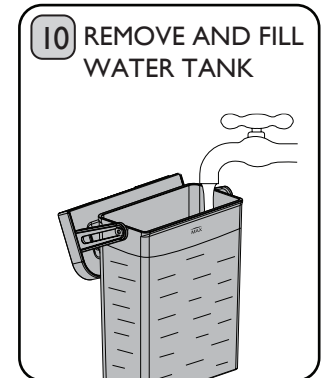
Align the Service Door's two metal pins into the slots of the appliance body. Once aligned, push the Service Door into place.



Ensure the External Drip Tray Cover is placed into the External Drip Tray. Push the External Drip Tray into the cut-out at the front of the machine. The tray will secure itself with magnets.



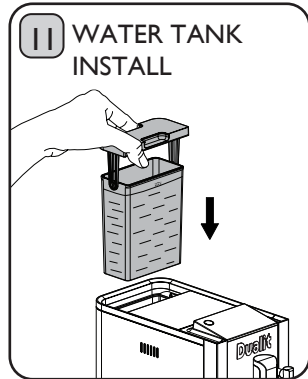
Position in a safe space. This must be away from heat sources, water taps and not in a cupboard. The surface must be flat in order to keep the machine level and stable.



Lift out the Water Tank using the Handle. Rinse before filling with fresh water. **DO NOT USE ANY OTHER LIQUID** Maximum fill level is the **MAX Marker. Do not overfill.**

SETTING UP - CONTINUED

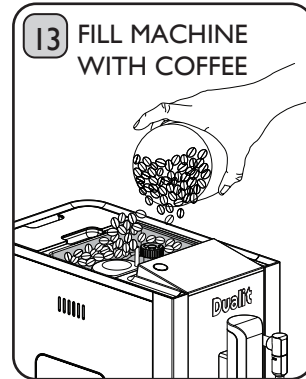
*If you have trouble removing the Nozzle, call Customer Services on 01293 652500.



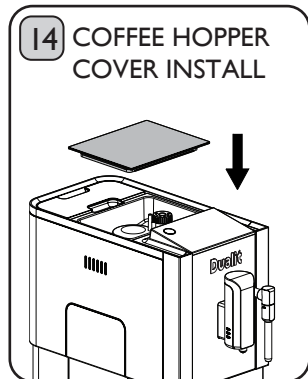
Once the Water Tank has been filled, use the carry handle to place it back into the machine. Ensure that the water outlet is aligned with the water inlet of the machine.



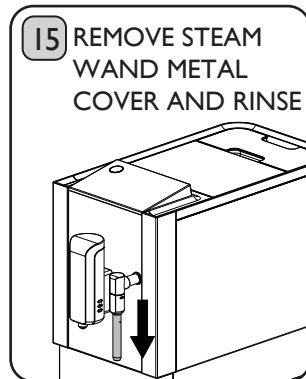
Using the cut-out of the Water Tank handle, lift out the Coffee Bean Hopper Cover.



Fill the machine with coffee beans to no higher than the Grind Size Selector Knob. Note: Use whole beans only. Never put ground coffee in the Hopper.



Align the Coffee Bean Hopper Cover with the Hopper and push in. The top of the lid must be flush with the machine, this will ensure the Coffee Hopper Lid Seal is engaged.

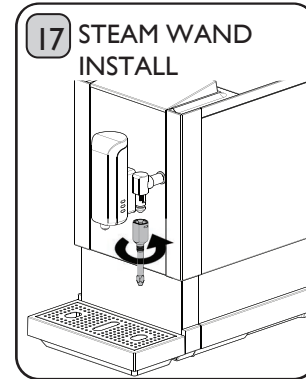


Pull the Steam Wand Metal Cover downwards to remove. Rinse with warm water and place onto a clean surface.

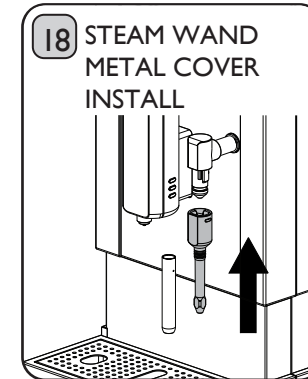


Twist the Steam Wand a 1/8 turn towards the Coffee Nozzle (clockwise when viewed from above) and pull downwards to remove. Rinse with warm water and wipe clean. Do not apply excessive force.*

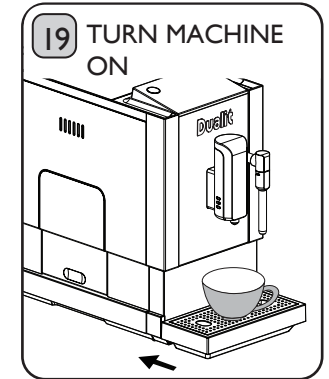
SETTING UP - CONTINUED



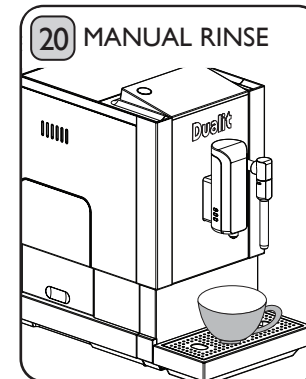
Push Steam Wand up into Steam Nozzle and align the slot in the Steam Wand with the pip on the Steam Nozzle. Twist 1/8 turn towards the Coffee Nozzle (anti-clockwise when viewed from above) to secure.



Push the Steam Wand Metal Cover upwards onto the Steam Wand until the top of the Steam Wand Metal Cover is touching the top of the Steam Wand.

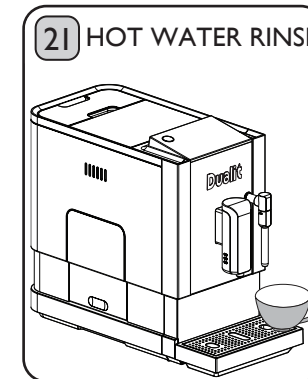


Place 150ml container underneath Coffee Nozzle. **Plug in Power Cord and press the Power Button to turn the machine on.** Water will purge through the Coffee Nozzle.



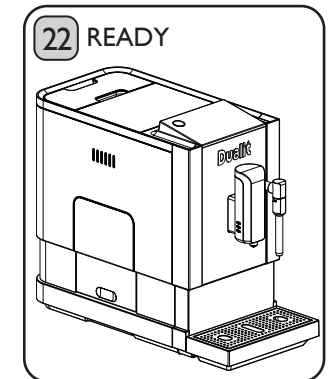
Place a 150ml container below the Coffee Nozzle and go to Manual Rinse on page 21.

WARNING: Water may be hot.



Place a 150ml container below the Steam Nozzle, press Hot Water Button and dispense hot water for 10 seconds.

WARNING: Water may be hot.

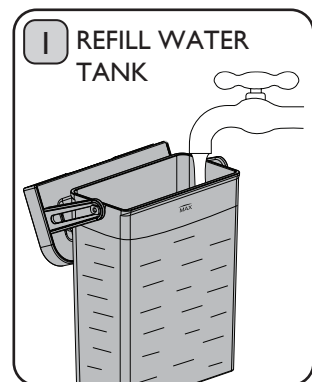


Your machine is now ready to use.

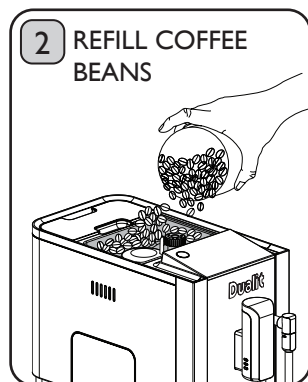
USING YOUR COFFEE MACHINE

To achieve optimum performance from your Bean to Go machine, follow this procedure.

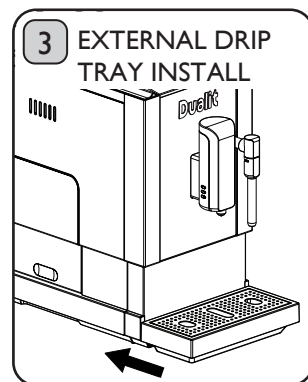
Beware of hot water purging through the Coffee Nozzle when turning the machine on. Risk of scalding.



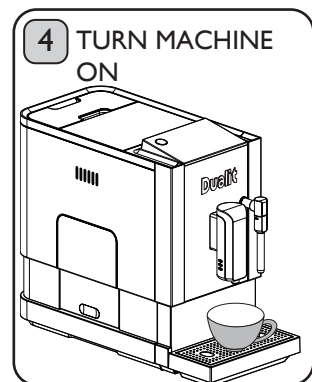
Remove and top-up the the Water Tank with water. Do not go above the 'MAX' mark. Re-install Water Tank in machine after filling. **Risk of electric shock - Do not fill in situ.**



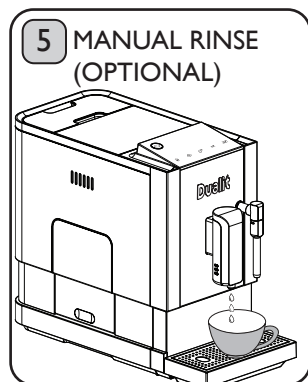
If your machine is running low on coffee beans, refill them in the same way outlined in Setting up.



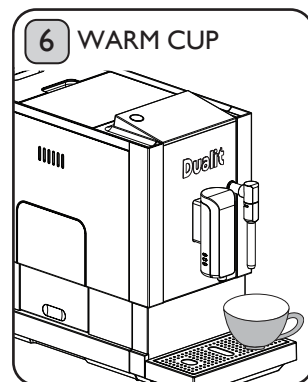
Empty the contents of the External Drip Tray and install it into the front of the machine as outlined in Setting up.



Place 150ml cup underneath Coffee Nozzle. **Plug in the Power Cord and press the Power Button to turn the machine on.** Water will purge through the Coffee Nozzle.

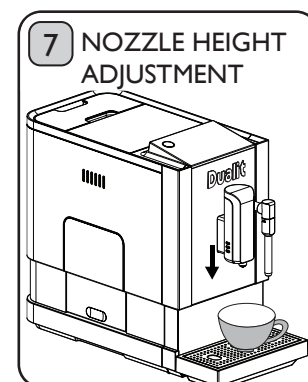
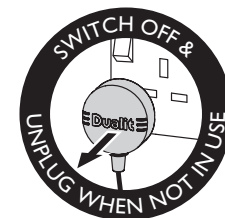


To ensure your first cup is at the perfect temperature, or if you have not used your machine for a while, you can perform the Manual Rinse Function. See page 21 for more details.

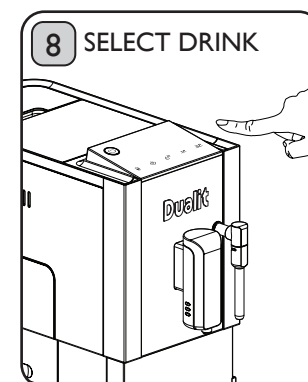


If you like your coffee extra hot, the serving cup must be warmed through before each coffee. Dispense a cup full of hot water and discard before dispensing coffee.

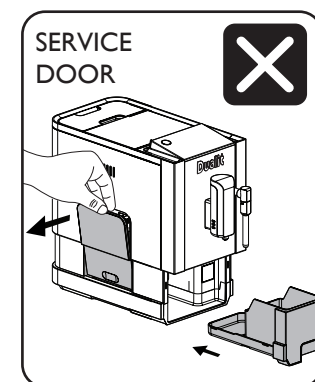
USING YOUR COFFEE MACHINE - CONTINUED



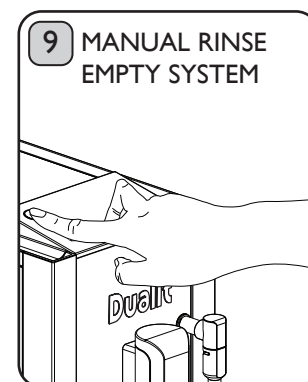
The Coffee Nozzle has an adjustable height function. Grip either side of the Coffee Nozzle with your hand and slide it up or down to suit the height of your cup.



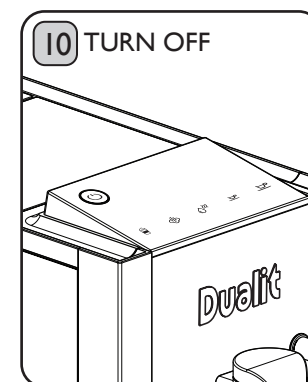
Choose your drink by selecting the relevant button. See page 8 for the available drinks. A drink indicator will light up to show which drink is being prepared.



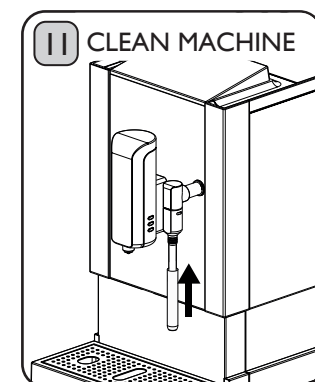
Never open the Service Door or Drip Tray whilst the appliance is in use. Only open when all Indicator Lights are on and appliance is in standby mode.



Perform the Manual Rinse Function at the end of each day the machine has been used. If not using the machine for a long period of time, use the Empty System Function. See page 23 for more details.



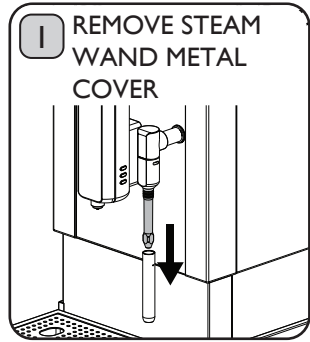
Press the Power Button to turn off your machine. Unplug your Power Cord from the supply socket.



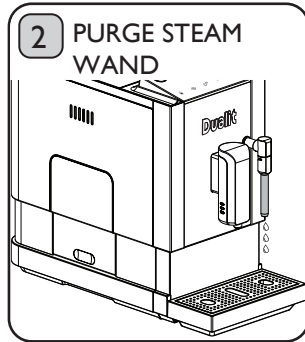
In order to preserve your machine to the best standard, it is recommended that you clean it after each day of use. See cleaning instructions on page 24-26.

WARMING MILK USING STEAM

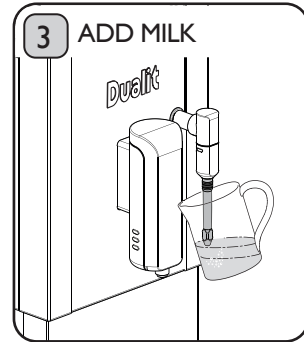
IMPORTANT NOTICE: After each use, wipe the Steam Wand & flush the inside of the Wand by dispensing water. It is recommended to use a chilled Milk Jug and fresh semi-skimmed milk straight from the fridge for best results. Note: skimmed and full fat can also be used. Keep hands away from the Outlet at all times. **Caution: Hot! Risk of scalding.**



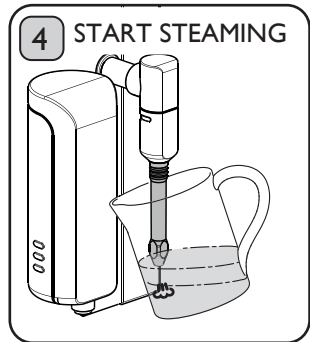
Pull the Steam Wand Metal Cover downwards to remove.



Direct the Steam Wand at the drip tray and press the Steam Button. Please note that some water will be ejected. The Steam Indicator Light will flash until the boiler is at the correct temperature.

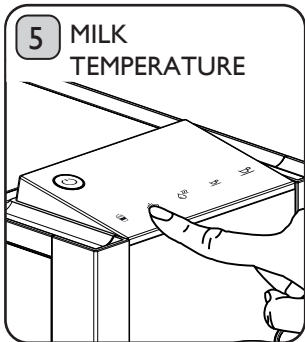


Add milk to a Milk Jug. Hold the Jug by its handle and tilt at a slight angle. Place the Steam Wand close to the edge of the jug, with the tip close to the bottom.

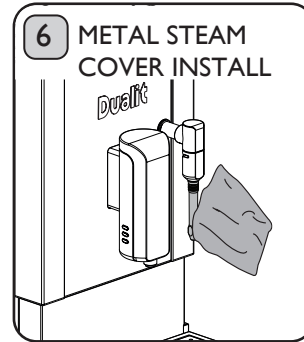


Once the Steam Indicator Light is solid, press the Steam Button. The steam will flow from the Nozzle and through the milk. Take care not to splash the milk.

Note: The steam will stop automatically if left on for 90 seconds



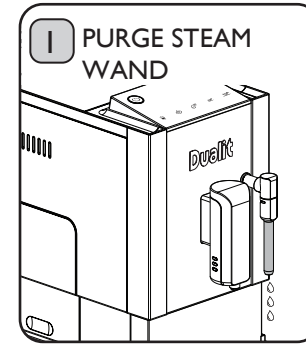
Once the milk is at the desired temperature, turn off the steam by pressing the Steam Button. Ensure the steam is turned off before removing the Wand from the Jug. Pour immediately. **Risk of scalding.**



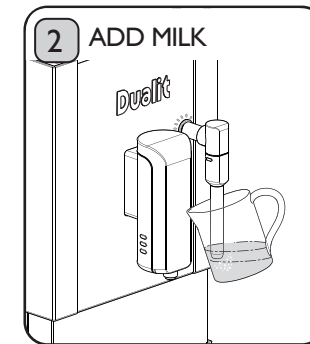
To prevent damage to your machine, activate the Hot Water Function and wipe the Steam Wand clean. Wait 30 seconds for the Steam Wand to cool down before installing the Metal Steam Cover.

FROTHING MILK

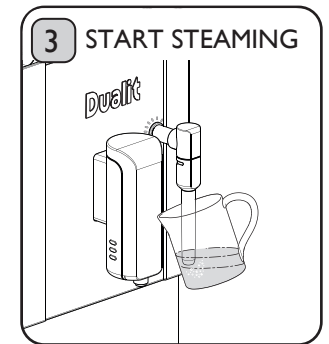
IMPORTANT NOTICE: After each use, wipe the Steam Wand & flush the inside of the Wand by dispensing water (page 18). It is recommended to use a chilled Milk Jug and fresh semi-skimmed milk straight from the fridge for best results. Note: skimmed and full fat can also be used. Keep hands away from the Outlet at all times. **Caution: Hot! Risk of scalding.**



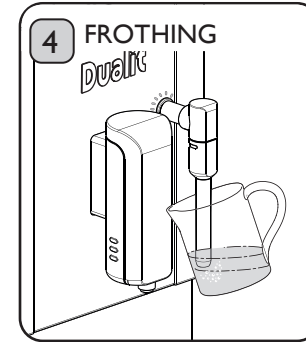
Ensure the Steam Wand Metal Cover is in place. Direct the Steam Wand at the drip tray and press the Steam Button. Please note that some water will be ejected. The Steam Indicator Light will flash until the boiler is at the correct temperature.



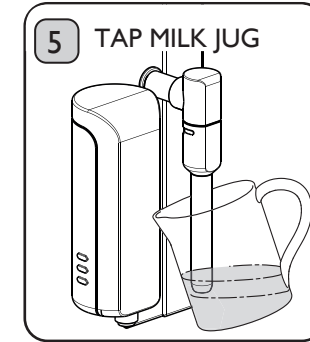
Add milk to a Milk Jug. Hold the Jug by its handle and tilt at a slight angle. Place the Steam Wand close to the edge of the jug, with the tip close to the bottom.



Once the Steam Indicator Light is solid, press the Steam Button. The steam will flow from the Nozzle and through the milk. Take care not to splash the milk. Note: The steam will stop automatically if left on for 90 seconds



Lower the Steam Wand into the Jug so that the tip is 1-2cm below the milk's surface. Once the milk has reached the desired level of froth, press the Steam Button to turn off the steam. Ensure the steam is turned off prior to removing the wand from the Jug.



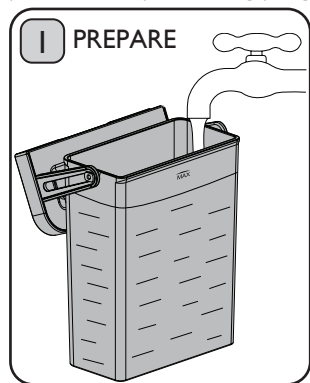
Gently tap the Milk Jug against the worktop to collapse any large bubbles. Swirling will mix the milk with the froth. Pour immediately.



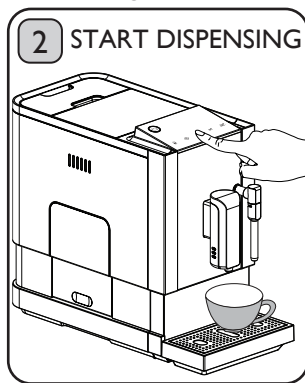
To prevent damage to your machine, activate the Hot Water function and clean the Steam Wand and Metal Cover.

DISPENSING HOT WATER

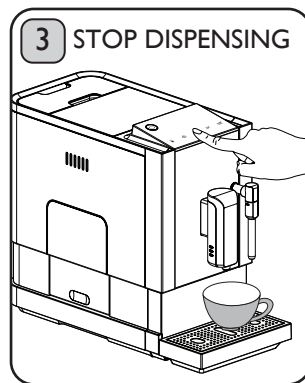
CAUTION: WATER WILL BE HOT. SUBMERGE THE NOZZLE TO REDUCE SPLASHING. The hot water dispense time can be adjusted between 30-350ml to suit your preference by following programmable dosing instructions.



Ensure the Water Tank is filled with water.
Caution: The Hot Water Nozzle may be hot.



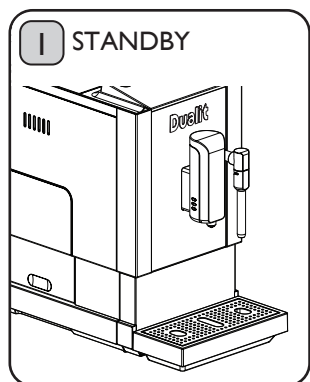
Press Hot Water Button to dispense the hot water.



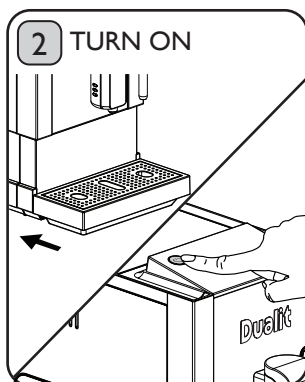
Press the Hot Water Button again to stop dispensing.

Note: The hot water will automatically turn off after 45 seconds

AUTO SHUT-OFF



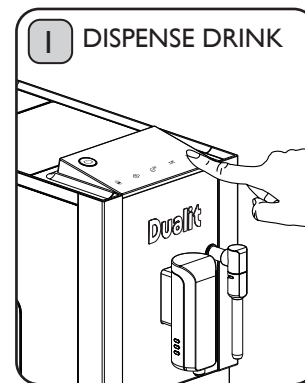
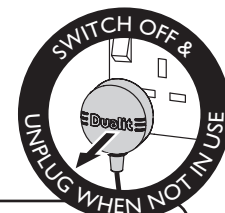
When the machine is left idle, it will auto shut-off. The time taken for this depends on what mode the machine is set to, see page 11 for more details.



Ensure the External Drip Tray is in place. Press the Power Button to turn the machine on. Water will purge through the Coffee Nozzle.

PROGRAMMABLE DOSING

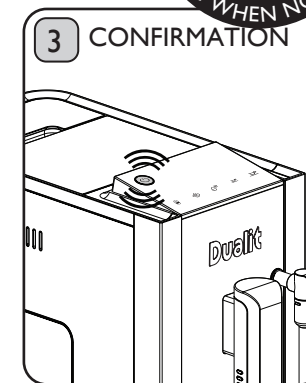
The factory setting of the machine is programmed to 35ml for Espresso, 70ml for Lungo and 140ml for Hot Water. Both Lungo and Espresso modes can be adjusted between 30-250ml to suit your taste preference.



Select the drink you wish to adjust the volume of and press the relevant button once to start dispense.

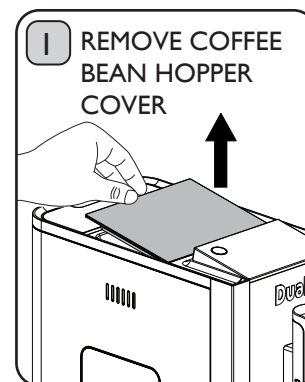


Once the drink is dispensing, press and hold down the relevant dispense button until you have reached your desired volume. At this point, release the button.

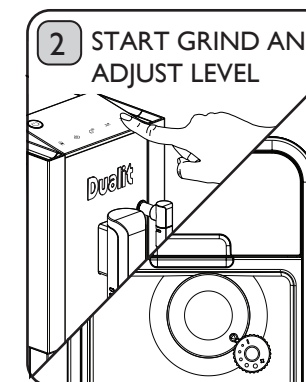


The machine will beep twice to indicate that the new volume has been set.

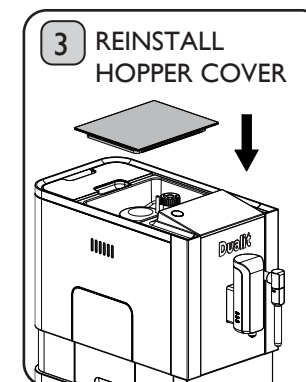
GRIND SIZE ADJUSTMENT



Plug in the machine and press the Power Button to turn on. Using the cut-out of the Water Tank handle, lift out the Coffee Bean Hopper Cover.




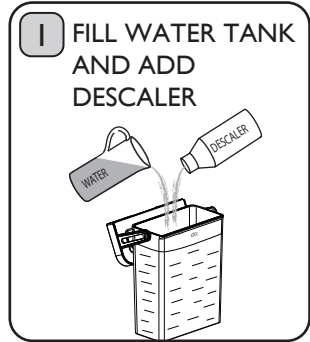
Dispense a drink to ensure the machine is actively grinding (page 17). Twist the Grinder Knob to the desired setting. A larger circle indicates a coarser grind whilst a smaller circle indicates a finer grind.



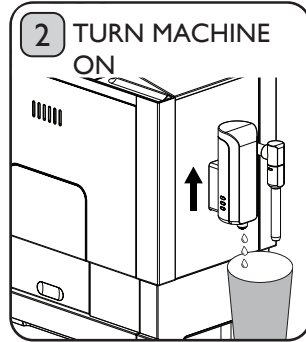
Align the Coffee Bean Hopper Cover with the Hopper and push in. The top of the lid must be flush with the machine, this will ensure the Coffee Hopper Lid Seal is engaged.

DESCALE

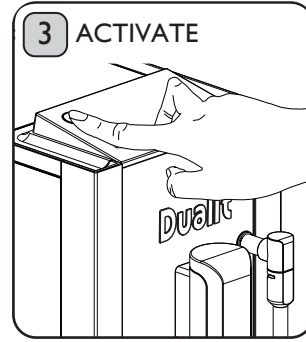
HARD WATER WILL CAUSE LIMESCALE BUILD-UP, RESULTING IN BLOCKAGES THAT CAUSE PERMANENT DAMAGE. See Limescale Warning on page 8. The machine will display a warning  when descale is overdue. It is essential that a compatible descaler is used - visit www.dualit.com/accessories for descaler options. See page 10 for Button and Warning Symbols. The descale process takes approximately 20 minutes.



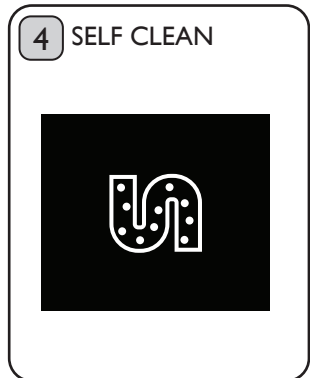
Ensure the Water Tank is filled with water before adding descaler. Ensure that a compatible descaler is used and that any water softeners are removed before descaling.



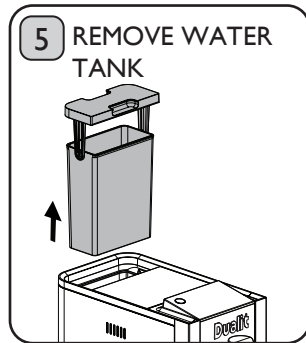
Place a 2L container underneath the Coffee Nozzle and Steam Nozzle. **Plug in Power Cord and press the Power Button to turn the machine on.** Water will purge through the Coffee Nozzle.



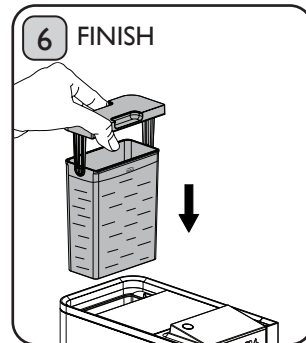
Press and hold the **Power** and **Espresso** Buttons for 5 seconds. Two beeps will sound and the Descale Warning / Espresso Button will flash. Press the Espresso Button to start descale process.



The Descale Warning symbol will flash during the descale process. Stand away from the machine during this process. Liquid will dispense from the Nozzle and Steam Wand intermittently. **Caution: Hot.**



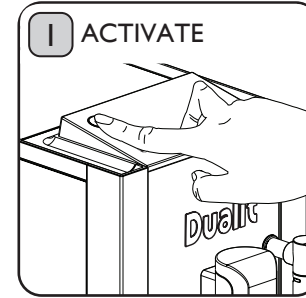
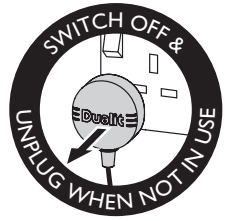
When the Water Tank Warning and Espresso Button flash, remove the Water Tank, empty and rinse to remove all remaining descale solution.



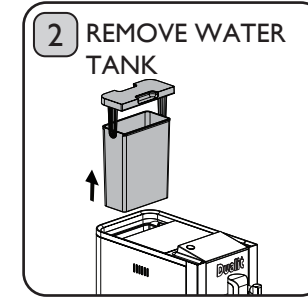
Fill the Water Tank with fresh water and install back in the machine. The machine will automatically start to dispense water out of the Nozzle and Steam Wand and will switch off once the dispense cycle is complete. Refit water softener.

EMPTY SYSTEM

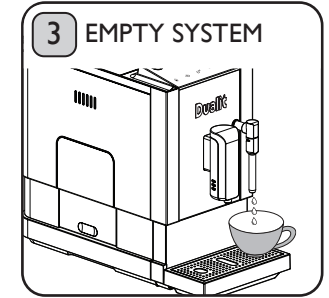
If you are not going to use your machine for a long period of time, it is recommended that you use the Empty System Function. This process will drain all of the water out of the system through the Steam Tube, preventing the chance of limescale build up. See page 10 for Button and Warning Symbols.



Ensure a 150ml container is below the Steam Wand. When the machine is turned on, hold down the Power Button and Lungo Button for 5 seconds. Two beeps will sound.



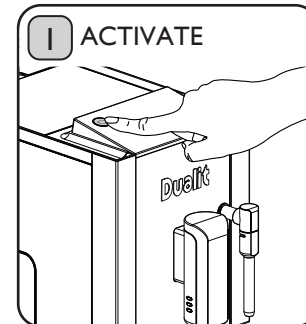
When the Empty System warning is displayed, remove the Water Tank and place on the side.



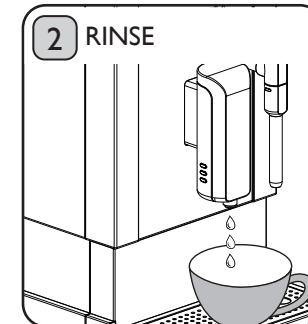
Once the Water Tank is removed, water will pour out of the Steam Nozzle. The machine will then turn off.

MANUAL RINSE

It is recommended that a Manual Rinse is conducted at the end of each day the machine is used. This process flushes water through the Coffee Nozzle, removing coffee residue from inside the machine and therefore reducing the chance of mould build up. See page 10 for Button and Warning Symbols.



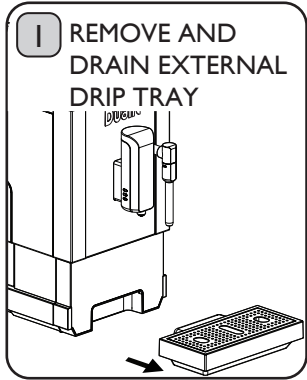
Ensure a 150ml container is below the Coffee Nozzle. When the machine is turned on, hold down the Power Button and Hot Water Button for 5 seconds. Two beeps will sound.



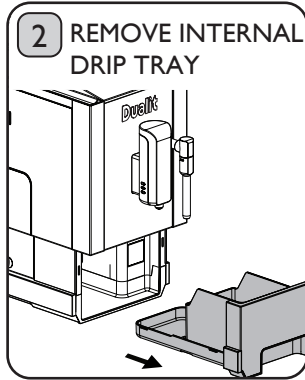
The machine will dispense a small amount of water through the Coffee Nozzle before returning back to the menu.

CLEANING

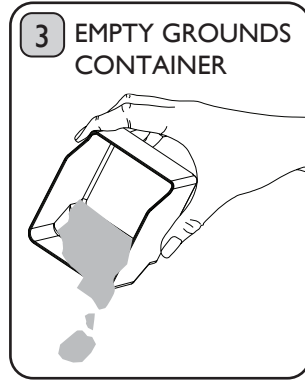
It is recommended to clean your machine after each day of use in order to extend its life. **Before cleaning, make sure your machine is switched off, unplugged and allowed to cool.**



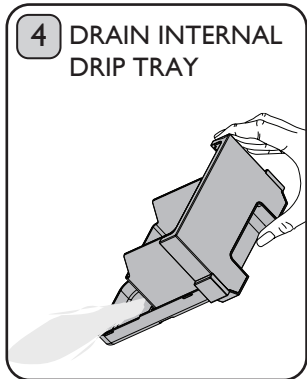
Empty the contents of the External Drip Tray into a sink.



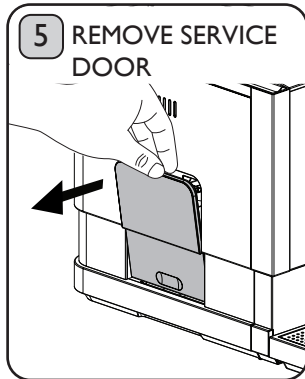
Remove Internal Drip Tray by pulling on the handle.



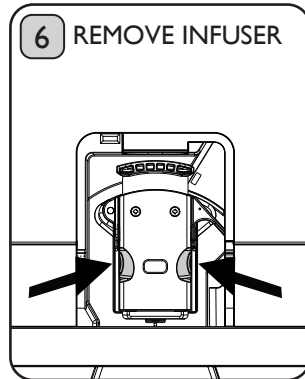
Remove the Grounds Container from the Internal Drip Tray and empty the contents into a bin. Rinse the Grounds Container with warm water and dry off. Place Grounds Container to one side.



Drain the contents of the Internal Drip Tray into a sink, then wash and dry.

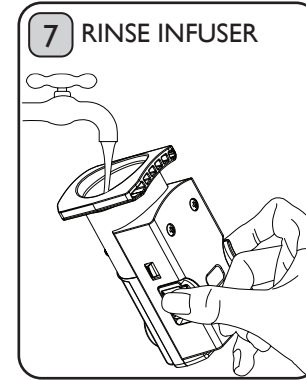


Press on the bottom of the Service Door to raise its top edge. Pull on the top edge to remove the service door. Wipe inside of Service Door.

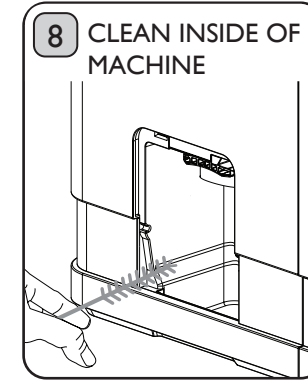


Remove the Infuser by pressing both the orange buttons inwards.

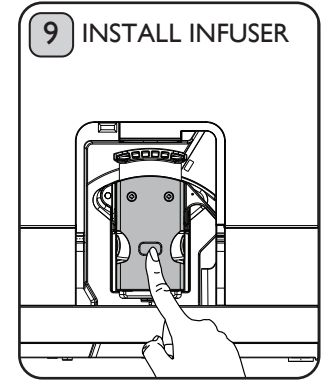
CLEANING - CONTINUED



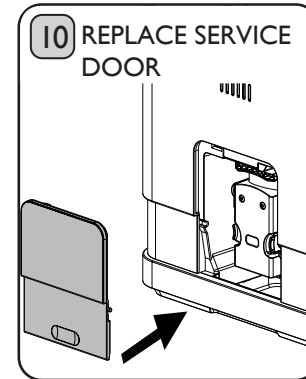
Rinse Infuser under tap with warm water. Ensure to dry afterwards. **DO NOT PUT IN DISHWASHER OR SUBMERGE UNDER WATER.**



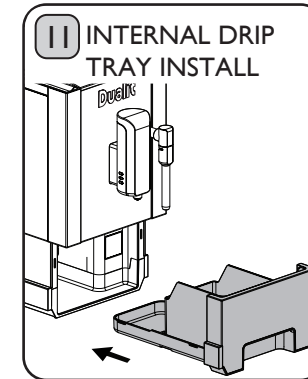
Use the supplied Cleaning Brush to clean the Powder Outlet above the Infuser Support.



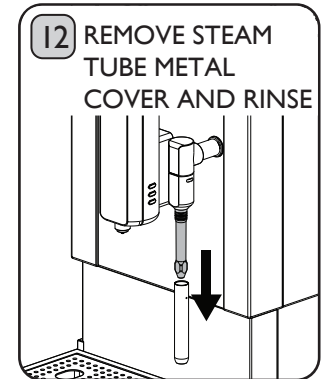
Push the Infuser into the Infuser Support. Please ensure that both of the orange clips engage. There will be an audible click once engaged.



Align the Service Door's two metal pins into the slots of the appliance body. Once aligned, push the Service Door into place.



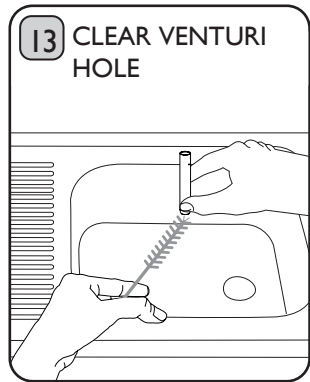
Place the Grounds Container onto the Internal Drip Tray and slide into the machine. The front of the Drip Tray will be flush with the machine, if it is not, there is likely to be an obstruction.



Pull the Steam Wand Metal Cover downwards to remove. Rinse with warm water and place onto a clean surface.

CLEANING - CONTINUED

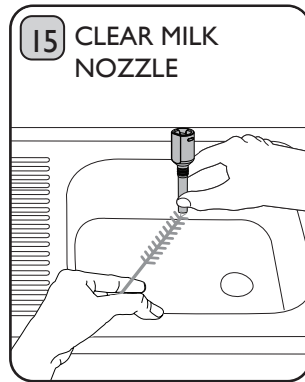
*If you have trouble removing the Nozzle, call Customer Services on 01293 652500.



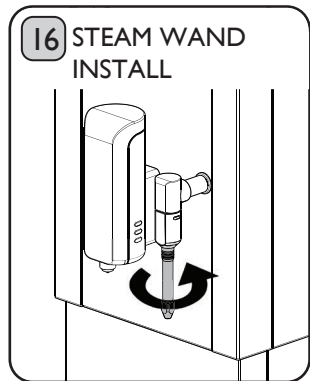
Use the bristles of the supplied Cleaning Brush to clear and clean the venturi hole of the Steam Wand Metal Cover.



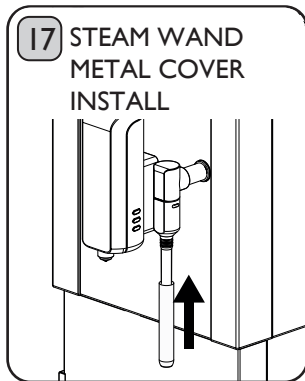
Twist the Steam Wand a 1/8 turn towards the Coffee Nozzle (clockwise when viewed from above) and pull downwards to remove. Do not apply excessive force.*



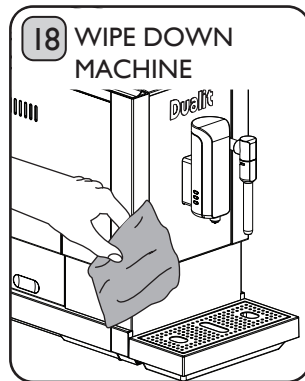
Use the bristles of the supplied Cleaning Brush to clear and clean the Nozzle of the Steam Wand. Rinse with warm water and wipe clean.



Push Steam Wand up into Steam Nozzle and align the slot in the Steam Wand with the pip on the Steam Nozzle. Twist 1/8 turn away from the Coffee Nozzle (anti-clockwise when viewed from above) to secure.



Push the Steam Wand Metal Cover upwards onto the Steam Wand until the top of the Steam Wand Metal Cover is touching the top of the Steam Wand.



Use a damp Cleaning Cloth to wipe the machine clean.

BARISTA TRAINING

The Dualit Bean to Go machine brings coffee shop style coffee into your home. Let's start with a quick training session and turn you, the coffee drinker, into a barista...

THE PERFECT COFFEE

You are looking for an espresso with a 2-3mm crema and a rich, dark brown colour underneath (the exact colour will depend on the bean you have chosen).

It should have a taste that is full of flavour (whether mild and subtle or rich and strong) and should not be bitter. It should stay hot at the bottom of the espresso.

Dualit recommend the following extraction volumes, however you can adjust the Lungo and Espresso modes according to your personal preference (page 28).

DRINK	COFFEE QUANTITY (g)	OPTIMUM EXTRACTION VOLUME (ml)
Espresso	9	35
Lungo	7	70
Double Shot	18	80

There are 6 components to making a great cup of hot coffee. Get all these right and you'll have the perfect coffee, whether it's a straight shot of espresso or a 'combo' like a latte or cappuccino.

1 THE RIGHT CHOICE OF COFFEE BEANS

There are two main types of bean; within each type there are numerous varieties that are usually identified by their geographical region.

	ARABICA	ROBUSTA
CAFFEINE	Arabica usually carry a lower caffeine content	Robusta usually carry a higher caffeine content
TYPICAL FLAVOUR CHARACTERISTICS	Clean, bright acidity and high sweetness. Floral and citrus character	Full bodied, pronounced bitterness and low acidity. Earthy and woody character

The roast will affect the strength and flavour of the coffee. Generally the darker the roast the stonger the coffee will be. Try beans from around the world. Much like wine, the soil, climate and cultivation methods affect the taste of the coffee, producing anything from a mild, mellow blend to a rich, dark roast.

Whole beans will keep for fourteen days in an air-tight container or 45 days in the freezer. Divide a big bag of beans into several smaller containers before freezing so you only open what you require. **Never grind frozen beans.**

2 THE GRIND

Espresso machines need the coffee to be finely ground as a coarser grind will affect the rate of extraction. You'll know when you've got it right because you'll have a dense 2-3mm crema on the surface of your coffee. You can adjust the grind setting on your appliance (page 21).

Too coarse: This will under-extract, giving you brown water but no flavour.

Too fine: This will over-extract, giving you a bitter flavour.

3 WATER

The perfect temperature for brewing coffee is just below boiling point. Boiling water will burn the ground beans and the coffee will taste bitter. A lower temperature won't extract the oils or flavour from the bean.

Your Dualit coffee machine will heat the water to the perfect temperature every time you make an espresso.

4 FROTHING OR STEAMING

GENERAL TIPS

- For best results use cold milk – semi-skimmed; the higher the fat content of the milk, the lighter the froth will be.
- Don't let milk boil – ideally it should reach 70-75°C. Once it reaches 79°C you will lose the froth. Listen to the sound of the frothing; when it is ready the sound of the frothing will become quieter. When the jug gets too hot to touch the milk is ready. You can also use a thermometer.
- To avoid hot milk spillages when steaming, never fill the jug more than half way as the milk volume will double when you froth.
- Operate the hot water (page 20) once you have finished making coffees to remove any remaining milk residue from inside the Steam Wand.
- Clean the Steam Wand after each use - see page 25-26 for cleaning steps.
- If making coffee immediately after steaming, press the Hot Water Button to flush out excess hot water, otherwise the quality of the extracted coffee may be affected.

WHAT IS STEAMING?

- Heating the milk using steam.
- For best results hold the jug still.
- Great for making lattes, mochas and hot chocolate, as dense froth is not required.

WHAT IS FROTHING?

- Combining the milk with air by slowly lowering the jug.
- Keep the jug slightly at an angle with the steaming wand, just under the surface of the milk.
- Perfect for making cappuccinos, babyccinos and flavoured cinos.

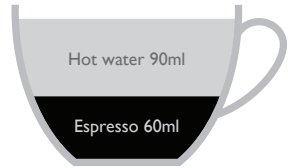
5 THE CUP

An espresso shot in particular will get cold very quickly if poured into a cold cup. For this reason your cups must be pre-warmed before EACH use (page 16).

RECIPES

An ESPRESSO is 35ml of water run through ground coffee in the machine. Once the espresso is extracted (the basis of most coffee drinks) add water or milk to the coffee to create different types of drinks.

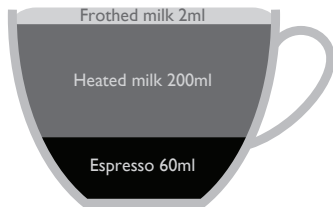
LUNGO is a longer espresso run through the machine; all the water runs through the beans, same flavour less intensity.



AMERICANO

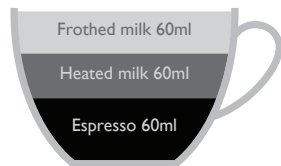
1. Pour hot water into a cup (water volume will depend on coffee strength preference).
2. Top hot water with freshly extracted espresso.
3. Add milk or enjoy it black.

This gives a similar strength (but different flavour) to a filter coffee machine.



LATTE

1. Make espresso for the latte.
2. Steam the milk (see page 18).
3. Pour steamed milk over the espresso, adding a little froth at the end.
4. Tip: Add flavoured syrups to enhance the flavor of the coffee (optional).



CAPPUCCINO

1. Make espresso for the cappuccino.
2. Steam, froth and texturise the milk by following the steps on page 19.
3. Pour a third of the hot textured milk then spoon a third of the foamed milk over the espresso.
4. Sprinkle with cinnamon or powdered cocoa to finish (optional).



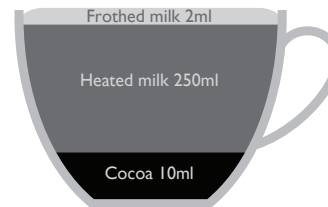
MOCHA

1. Add 3 teaspoons of cocoa powder with a little water and stir into a paste.
2. Make and add the espresso to the cocoa powder paste.
3. Steam the milk (see page 18).
4. Pour steamed milk over the cocoa espresso mix, adding a little froth at the end.
5. Finish off with whipped cream and dust with cocoa powder (optional).



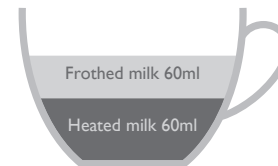
FLAT WHITE

1. Make a double espresso for the flat white.
2. Steam the milk (see page 18).
3. Pour steamed milk over the espresso and serve.



HOT CHOCOLATE

1. Add 3 teaspoons of cocoa powder with a little water and stir into a paste.
2. Steam the milk (see page 19).
3. Pour steamed milk over the cocoa mix, adding a little froth at the end.
4. Finish off with whipped cream and dust with cocoa powder (optional).



BABYCINO



1. Cappuccino without the coffee.
2. Steam and froth milk (see page 18 and 19).
3. Pour straight into a cup, top with cocoa powder and serve with marshmallows.
4. Add sugar to taste or flavoured syrups to add a new dimension to the Babycino (optional).







TROUBLESHOOTING

IMPORTANT: FAILURE TO DESCALE AND CLEAN YOUR MACHINE WILL INVALIDATE YOUR GUARANTEE.



POSSIBLE CAUSE(S)	SOLUTION(S)
THE APPLIANCE DOES NOT TURN ON	
The appliance may not be properly connected to the power supply.	Check the plug is in the Power Outlet and the switch is turned on.
The Power Supply Cord may not have been correctly placed into the machine.	Check the Power Cord is secured into the rear of the machine.
THE CONTROL BUTTONS ARE NOT WORKING	
The Control Panel is dirty.	Clean and dry the whole Control Panel with the Cleaning Cloth provided or a dry towel.
The Control Buttons are being pressed incorrectly.	Ensure the Control Button is pressed directly below the icon you wish to select.
The protective film has not been removed.	There is a protective film over the buttons when new. This must be peeled off before use.
The machine is new or has been stored for a while.	When the Water Tank is empty, from new or after storing, it can take a while for the Pump to prime. Ensure the Water Tank is full to max and turn on the machine. The Pump will run and water should come out of the Adjustable Coffee Nozzle. This could take from 30 seconds to one minute. If the water does not come out of the Spout after this time, the Power Light will flash and so will the Hot Water Button. Press the Hot Water Button and the Pump will run. Allow the Pump to run until water comes out the Steam Nozzle. This may take over a minute. If it takes longer than 2 minutes, turn off the machine and repeat the above process. If it still does not work, contact Dualit Customer Services on 01293 652500.
THE APPLIANCE IS NOT DISPENSING COFFEE	
A Warning Symbol is flashing.	Please reference the instructions on page 10.
The internal pipes may be blocked.	Ensure you descale regularly (page 22).
The Empty System Function has been used, there is no water in the appliance.	Press the Hot Water Button to dispense water, press again to stop after 15 seconds (page 20).
THE APPLIANCE IS SLOWLY DISPENSING COFFEE	
The ground coffee is too fine and is blocking water in the appliance.	Increase the grind size on the Coffee Grinder until the coffee is to your taste (page 21).

The Infuser is dirty.	Remove and clean the Infuser. Ensure it is dry before re-installing.
THE APPLIANCE IS MAKING A LOUD AND CONTINUOUS PUMPING NOISE	
Water Tank is not correctly seated.	Remove and install the Water Tank.
There is water inside the Water Tank chamber.	Dry the Water Tank chamber with a cloth and refill the Water Tank.
The machine is new or has been stored for a while.	When the Water Tank is empty, from new or after storing, it can take a while for the Pump to prime. Ensure the Water Tank is full to max and turn on the machine. The Pump will run and water should come out of the Adjustable Coffee Nozzle. This could take from 30 seconds to one minute. If the water does not come out of the Spout after this time, the Power Light will flash and so will the Hot Water Button. Press the Hot Water Button and the Pump will run. Allow the Pump to run until water comes out the Steam Nozzle. This may take over a minute. If it takes longer than 2 minutes, turn off the machine and repeat the above process. If it still does not work, contact Dualit Customer Services on 01293 652500.
THE APPLIANCE APPEARS TO BE LEAKING	
There is water beneath the machine.	Ensure that the Internal and External Drip Tray have been emptied.
Coffee grind is too fine and blocks the water from passing through the outlet.	Adjust the Grinder size to a coarser setting (page 21).
THE APPLIANCE TURNED ITSELF OFF	
Depending on the mode selected, the appliance shuts down after a 20-40 minutes of inactivity.	The machine's mode can easily be changed, please see the instructions on page 9. Press Power Button to turn machine back on.
WATER TANK WARNING IS FLASHING 	
There is no water in the Water Tank.	Remove the Water Tank and fill with fresh water.
The Water Tank may not be seated correctly.	Remove and reinstall the Water Tank, ensuring that the connectors align.
WATER TANK WARNING IS NOT DISPLAYED WHEN WATER TANK IS EMPTY	
There is water inside the Water Tank chamber.	Dry the Water Tank chamber with a cloth and refill the Water Tank.
COFFEE BEAN WARNING IS DISPLAYED 	
There are no coffee beans in the hopper.	Fill the Coffee Bean Hopper with fresh coffee beans.
The grinder may be blocked with coffee.	Increase the grind size to allow the Grinder to free up.
The internal coffee Powder Outlet may be blocked.	Follow the cleaning steps on page 25, step 7 to clean the Powder Outlet.

Pre-ground coffee has been placed into the hopper.	Pre-ground coffee will block the grinder. Increase the grind size (page 21) to free the Grinder.
GROUNDS CONTAINER WARNING IS DISPLAYED 	
The Grounds Container is full.	Empty the Grounds Container, rinse, dry and reinstall.
The Grounds Container is still wet.	Ensure that the Grounds Container is completely dry before reinstalling.
GROUNDS CONTAINER WARNING IS FLASHING 	
The Grounds Container is missing.	Install the Grounds Container into the appliance.
The Grounds Container has been installed correctly.	Ensure the Grounds Container is correctly placed in the Internal Drip Tray.
The Internal Drip Tray has not been installed correctly.	Ensure the Internal Drip Tray is flush with the front of the appliance. If it is not, there is likely to be a blockage. Remove this blockage from the appliance.
INFUSER WARNING IS DISPLAYED 	
The Infuser has been installed incorrectly.	Remove and install Infuser, ensure both the orange buttons are not compressed (page 13, step 7).
The Infuser is missing.	Install the Infuser into the appliance.
INFUSER WARNING IS FLASHING 	
The Service Door has been installed incorrectly.	Align both of the metal pins of the Service Door with the slots in the appliance and reinstall.
The Service Door is missing.	Install the Service Door.
DESCALE WARNING IS DISPLAYED 	
The appliance will display a Descale Warning when a descale is required.	Follow the descale instructions on page 22 for more information. It is recommended that this process is carried out once a month.
EMPTY SYSTEM WARNING IS DISPLAYED 	
The Empty System function is running.	Do not touch the machine and allow the Empty System function to finish (page 23).
THE FIRST CUP OF COFFEE IS POOR QUALITY	
The appliance may not have dispensed enough coffee powder into the Infuser.	Discard this coffee, all other coffees will be of good quality.
MISALIGNED INFUSER	
The Infuser is stuck in the forward dispense position and the Grounds Container and Internal Drip Tray are not in place.	Manually hold the Grounds Container in the correct position to allow the appliance to finish dispensing and reset. Then install the Infuser, Grounds Container and Internal Drip Tray correctly.

MY COFFEE IS WEAK	
The volume of coffee dispensed is too high.	The dosing can be adjusted between 30-250ml to suit your taste preference. (page 21).
The coffee grind is too coarse.	Decrease the grind size on the Coffee Grinder until the resulting coffee is to your taste (page 21).
You like your coffee strong.	Use the double espresso dose to make a single coffee.
MY COFFEE IS STRONG	
The volume of coffee dispensed is too low.	The dosing can be adjusted between 30-250ml to suit your taste preference (page 21).
The coffee grind is too fine.	Increase the grind size on the Coffee Grinder until the resulting coffee is to your taste (page 21).
You like your coffee weak.	The dosing can be adjusted between 30-250ml to suit your taste preference (page 21).
MY COFFEE IS NOT HOT ENOUGH	
The cup has not been pre-warmed.	Warm your cup before each coffee (page 16, step 6).
The appliance internals have not been pre-heated.	Use the Manual Rinse Function (page 23) at least 3 times before making a coffee.
MY COFFEE IS TOO HOT	
The thermoblock is too hot after dispensing steam.	Flush out excess heat by operating the Hot Water function for 10 seconds (page 20).
The machine has an excessive limescale build up.	Descale the appliance. See page 22 for more information.
MY COFFEE HAS NO CREMA	
The cup filter is blocked because of the incorrect coffee grind size.	Adjust the grind size on the coffee grinder until the resulting coffee is to your taste (page 21).
The coffee beans are not fresh.	Coffee beans in an air tight container last up to 18 months after roasting. Once opened, the coffee beans must be used within a week.
Different coffee beans produce different amounts of crema.	Try different brands of whole coffee beans until you are satisfied with the results.
The thermoblock is too hot after dispensing steam.	Flush out excess heat by operating the the Hot Water Function for 10 seconds (page 20).
MY BEAN TO GO IS VIBRATING WHEN DISPENSING	
Your machine has a powerful pump which can cause vibrations when machine is placed incorrectly.	Unplug the device and remove the Water Tank. Ensure the machine is placed on a flat, even surface.

AFTER FROTHING MILK, MY MILK IS NOT FOAMY	
Your milk is not cold or fresh enough.	It is easier to make froth using fresh cold semi-skimmed milk.
The Steam Wand and Metal Cover are blocked with milk residue.	Follow the instructions on page 25-26 to clean the Steam Wand and Metal Cover.
My milk is burning.	Steam for a shorter period of time.
NO STEAM OR REDUCED STEAM IS FLOWING FROM THE STEAM WAND	
The Steam Wand and Metal Cover are blocked with milk residue.	Follow the instructions on page 25-26 to clean the Steam Wand and Metal Cover.
There is no water in the Water Tank.	Remove the Water Tank and fill with fresh water.
The Water Tank is not seated correctly.	Remove and reinstall the Water Tank, ensuring that the connectors align.
FAQS	
Is the Programmable Dosing Memory deleted when the appliance is unplugged?	No, the programming is not affected by unplugging the appliance.
What do I do if the water runs out mid-way through dispensing a drink?	Remove the Water Tank and re-fill. Upon reinstalling the tank, the drink will continue to dispense.
I HAVE RUN OUT OF DUALIT WATER FILTERS	
To purchase more Dualit Water Filters visit our website on www.dualit.com/waterfilters or contact Dualit on 01293 652500.	

REGISTER YOUR PRODUCT

- 1. Fast and efficient customer service** important safety advice, access to manuals and product information should you require assistance with your purchase.
- 2. A library of mouth-watering recipes** and regular articles and blogs.
- 3. Be the first to hear** about exciting new Dualit products.

Dualit recommends safety first: please register your product so that we can contact you in the unlikely event that a safety notification is issued. Remember to keep your receipt as proof of purchase.

DON'T FORGET
TO REGISTER
YOUR PRODUCT

WWW.DUALIT.COM/REGISTER

OR BY POST



Register 
my appliance

GUARANTEE

This appliance is of excellent quality and construction. However, if any defects in materials or workmanship do appear during the relevant guarantee period, we will, at our discretion, either repair or replace the defective parts, free of charge, subject to the terms and conditions of our Guarantee shown below.

This Guarantee covers both parts and labour. Carriage is not included.

Your Guarantee period is as follows:

- 1 year

This Guarantee provides benefits which are additional to, and do not affect, your statutory rights. This Guarantee does not cover the cost of returning the product to the dealer from whom it was purchased or to ourselves. This Guarantee applies only to products sold and located in mainland Great Britain. It does not cover liability in respect of or replacement of plugs, cables or fuses and also does not cover defects due to:

- Failure to use or maintain product in accordance with Dualit's instructions.
- The product being connected to an unsuitable electricity supply.
- Accidental damage to or abuse or misuse of the product.
- Product modification, except by Dualit or approved agent.
- Dismantling of or interference with the product.
- Theft or attempted theft of the product.

Before returning any product under this Guarantee, please check that:

- You have followed the product instructions correctly.
- Your mains electricity supply is functional.
- The defect is not due to a blown fuse.

If you wish to claim under this guarantee you

should:

- Send the product, postage or carriage paid, to the dealer from whom it was purchased or to Dualit direct.
- Ensure that the product is clean and packed carefully (preferably in its original carton).
- Enclose details of your name, address and telephone number and when and where the product was purchased, together with proof of purchase (e.g. a till receipt).
- Give exact details of the nature of the defect.

This Guarantee does not cover any other claims whatsoever, including, without limitation, any liability for incidental, indirect or consequential damage, nor does it cover any claims for conversion or modification or for the costs of repair carried out by any third party without the prior consent of Dualit. If replacement parts are fitted to the product this will not extend the period of the Guarantee.

For further advice contact the Dualit customer helpline on +44 (0)1293 652 500 (09:00 to 17:00 Monday to Friday).

Alternatively, email Dualit at info@dualit.com or visit www.dualit.com

Do not throw away the appliance with the normal household waste at the end of its life, but hand it in to an official collection point for recycling. By doing this you help preserve the environment.

THE Classic

RANGE

Dualit's iconic Classic range will add a touch of class to your kitchen. Both the toaster and kettle are repairable.



Dualit Limited County Oak Way Crawley West Sussex RH11 7ST
+44(0)1293 652 500 info@dualit.com www.dualit.com



GB-D